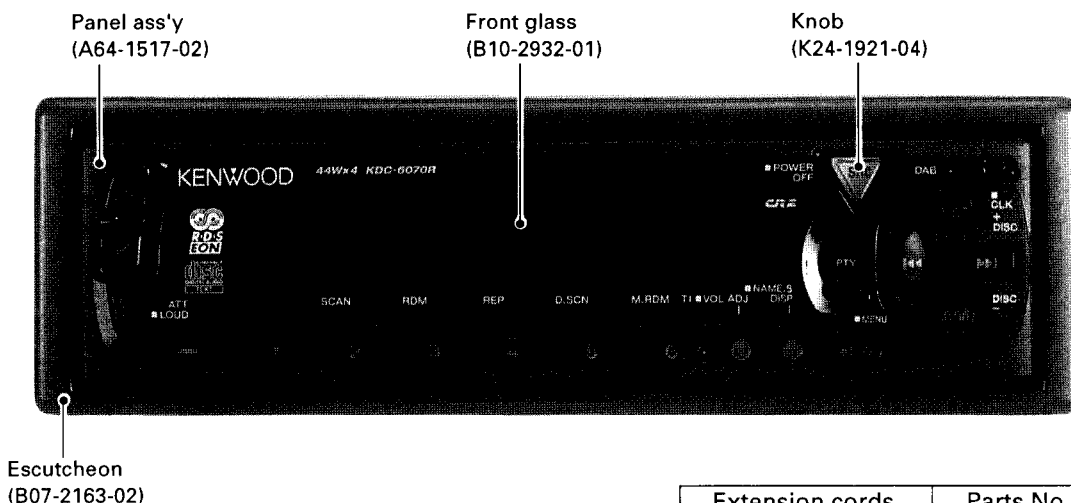


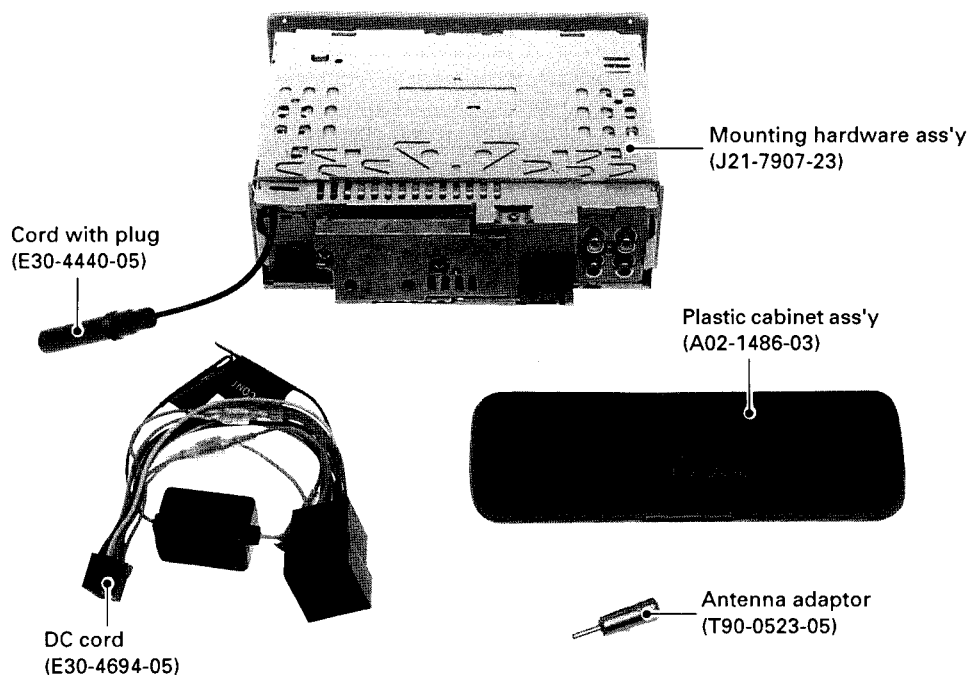
KDC-6070R/RV

SERVICE MANUAL

© 1998-11 PRINTED IN JAPAN
B51-7389-00 (4) 1791



Extension cords	Parts No.
CD mechanism (22P)	W05-0618-00
DC cord	E30-4549-00



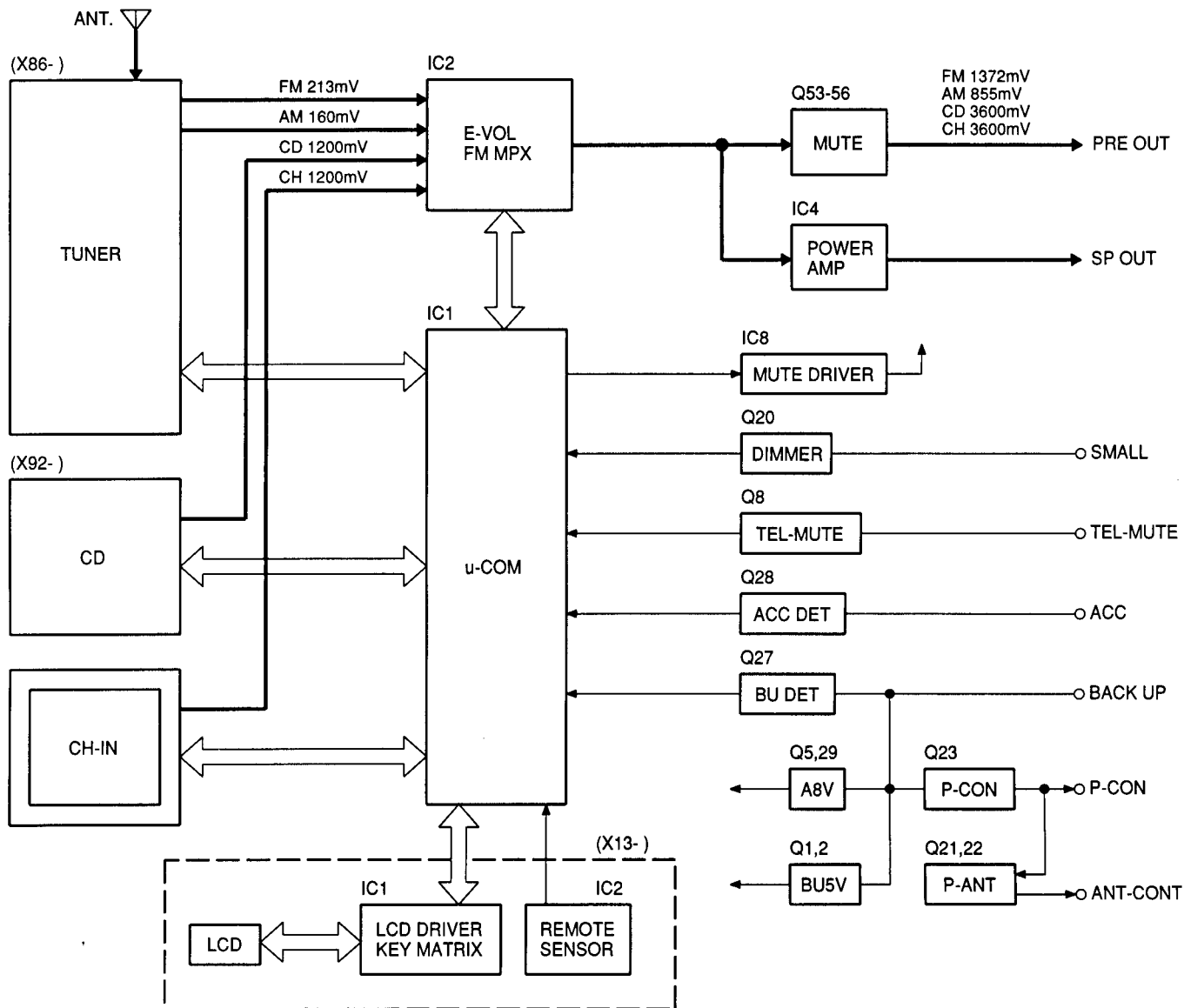
The MECHANISM OPERATION DESCRIPTION is the same as model KDC-5007 and KDC-5050RG. Please refer to the service manual of model KDC-5007 (B51-7090-00) or KDC-5050RG (B51-7099-00).

KDC-6070R/RV

CONTENTS

BLOCK DIAGRAM	2	EXPLODED VIEW (MECHANISM)	21
MICROCOMPUTER'S TERMINAL DESCRIPTION ..	3	EXPLODED VIEW (UNIT)	22
TEST MODE	5	PARTS LIST	24
PC BOARD	6	SPECIFICATIONS	Back cover
SCHEMATIC DIAGRAM	13		

BLOCK DIAGRAM



MICROCOMPUTER'S TERMINAL DESCRIPTION

System μ -com: UPD784215GF (X25- : IC1)

●Terminal description

Pin No.	Pin Name	I/O	Function	Description	Processing Operation
1	P60/A16	I	TYPE0	Destination type terminal 0	
2	P61/A17	I	TYPE1	Destination type terminal 1	
3	P62/A18	I	TYPE2	Destination type terminal 2	
4	P63/A19	O	CH RST	Changer reset output	Active : H
5	P64/RD	O	NC	(Not used)	
6	P65/WR	O	NC	(Not used)	
7	P66/WAIT	O	NC	(Not used)	
8	P67/ASTB	O	NC	(Not used)	
9	Vdd	-		Positive power supply terminal	
10	P100/TI5/TO5	O	P STBY	Power IC standby terminal	Power ON : H
11	P101/TI6/TO6	O	SVR	Power IC reset terminal	Power ON : L
12	P102/TI7/TO7	O	NC	(Not used)	
13	P103/TI8/TO8	O	P MUTE	Power IC muting terminal	Active : H
14	P30/TO0	O	ANT CON	Antenna control terminal	Active : H
15	P31/TO1	O	NC	(Not used)	
16	P32/TO2	I	DIMMER	Small lamp detection terminal	Active : L
17	P33/TI1	O	P CON	Power control terminal	Active : H
18	P34/TI2	I	ACC DET	Acc detection terminal	ACC OFF : H
19	P35/TI00	I	REMO	Remote control input terminal	
20	P36/TI01	O	P ON	μ -com peripheral power terminal	Active : H
21	P37	I	BU DET	Momentary power down detection terminal	Momentary power down : H
22	TEST	-	TEST	Test terminal	
23	P90	I/O	IC2 SDA	IC2, IC5, EEPROM data line	
24	P91	O	IC2 SCK	IC2, IC5, EEPROM clock line	
25	P92	O	MUTE	Muting terminal	Active : H
26	P93	O	SW5	5V power supply terminal	Active : L
27	P94	O	NC	(Not used)	
28	P95	O	CHCON2	Changer 2 control terminal	Active : L
29	P120/RTP0	O	CHCON1	Changer 1 control terminal	Active : H
30	P121/RTP1	I	CH MUTE	Changer muting input terminal	Muting Requested : H
31	P122/RTP2	O	REQH	Handshake request to changers	Active : L
32	P123/RTP3	O	ILL ON	Illumination output terminal	Active : H
33	P124/RTP4	O	DSI	DSI output terminal	Active : H
34	P125/RTP5	O	M CLK	Clock line to CD mechanism	
35	P126/RTP6	O	M DATAS	Data line to CD mechanism	
36	P127/RTP7	I	M DATAM	Data line from CD mechanism	
37	Vdd	-		Positive power supply terminal	
38	X2	-		Main clock connection terminal	
39	X1	-		Main clock connection terminal	
40	Vss	-		GND	
41	XT2	-		Sub clock connection terminal	
42	XT1	-		Sub clock connection terminal	
43	RESET	I		Reset input terminal	Active : L
44	P00/INTP0	O	NC	Reset output to changers	Active : H
45	P01/INTP1	I	R CLK	RDS clock input terminal	
46	P02/INTP2/NMI	I	REQC	Handshake request from changers	Active : L
47	P03/INTP3	I	EJECT	Eject switch	Active : L
48	P04/INTP4	I	CD SW1	Loading switch detection terminal	ON : L
49	P05/INTP5	I	CD SW2	12cm disc detection switch terminal	ON : L
50	P06/INTP6	I	M SRQ	Handshake request from CD mechanism	Requested : \downarrow

KDC-6070R/RV

MICROCOMPUTER'S TERMINAL DESCRIPTION

Pin No.	Pin Name	I/O	Function	Description	Processing Operation
51	AVdd	-		A/D analog power supply terminal	
52	AVref0	-		A/D reference voltage input terminal	
53	P10/ANI0	I	PHONE	Phone detection terminal	1V or less : PHONE 2.5V or more : NAVI MUTE
54	P11/AINI1	I	NC	Input GND shorted	
55	P12/ANI2	I	NOISE	FM noise detection terminal	
56	P13/ANI3	I	SMETER	FM signal meter detection terminal	
57	P14/ANI4	I	NC	Input GND shorted	
58	P15/ANI5	I	NC	Input GND shorted	
59	P16/ANI6	I	TILT DET	Tilt-able panel detaching detection terminal	Panel detached : H
60	P17/ANI7	I	M MUTE	Muting request from CD mechanism	Muting Requested : L
61	Avss	-		A/D GND terminal	
62	P130/ANO0	O	M CS	Handshake request to CD mechanism	Requested : L
63	P131/AN01	O	M RST	Reset output to CD mechanism	Reset : L
64	AVref1	-		D/A reference voltage input terminal	
65	P70/RxD2/SI2	I	DATA C	Data line from changers	
66	P71/TxD2/SO2	O	DATA H	Data line to changers	
67	P72/ASCK2/SCK2	I/O	CH CLK	Clock line from/to changers	
68	P20/RxD1/SI1	I	L DATA L	Data line to LCD driver	
69	P21/TxD1/SO1	O	L DATA S	Data line from LCD driver	
70	P22/ASCK1/SCK1	O	L CLK	Clock line to LCD driver	
71	P23/PCL	O	M STOP	Stop request to CD mechanism	Stop Requested : L
72	P24/BUZ	O	BEEP	Beep output terminal	Active : H
73	P25/SI0/SDA0	O	PLL CE	CE output to PLL	
74	P26/SO0	O	PLL DATA	Data input/output with PLL	
75	P27/SCK0/SCL0	O	PLL CLK	Clock output to PLL	
76	P80/A0	I	CD SW3	DOWN switch detection terminal	ON : H
77	P81/A1	I/O	LO/EJ	CD mechanism Loading/Eject switching output terminal	Loading : L / Eject : H
78	P82/A2	O	MOSW	CD mechanism motor output terminal	Loading : H / Eject : L
79	P83/A3	O	L RES	(Not used)	
80	P84/A4	O	L CE	CE output to LCD driver	
81	P85/A5	I	PANEL	Panel tilting detection terminal	Panel tilted : H
82	P86/A6	O	EJECT ILL	Eject switch illumination terminal	Active : H
83	P87/A7	O	NC	(Not used)	
84	P40/AD0	I	QUAL	RDS receiving condition	
85	P41/AD1	I	R DATA	RDS data input terminal	
86 - 89	P42 - 45/AD2 - 5	O	NC	(Not used)	
90	P46/AD6	I	FM SD	FM SD input terminal	Station detected : H Not detected : L
91	P47/AD7	O	NC	(Not used)	
92	P50/A8	O	AFC	Noise detection time constant switching terminal	During reception : H During search : L
93	P51/A9	O	LO/DX	LOCAL output terminal	Local : H / Normal : L
94	P52/A10	O	NC	(Not used)	
95	P53/A11	O	NC	(Not used)	
96	P54/A12	O	AM+B	AM power terminal	Active : H
97	P55/A13	O	FM+B	FM power terminal	Active : H
98	P56/A14	I	ST TYPE0	IC2 Ver.2 destination type terminal 0	Initial value : L
99	P57/A15	I	ST TYPE1	IC2 Ver.2 destination type terminal 1	Initial value : L
100	Vss	-		GND	

TEST MODE

•TEST MODE

1. To enter test mode

While holding the **[FM]** key and preset **[6]** key, reset the unit.

All indication segments are ON at the beginning of test mode.

2. To release test mode

Simply reset the unit.

(NOTE):

The test mode is not canceled by ACC OFF, power OFF, momentary power down or the panel detaching.

3. FM signal meter voltage adjustment

- 1) Enter test mode.
- 2) Receive 98.1MHz with the SG and set the ANT input level to 35dB μ . The modulation should be off during this.
- 3) While holding preset **[1]** key, press and hold preset **[6]** key for a few seconds.
- 4) "ADJ OK" is displayed if the adjustment is OK and "ADJ NG" is displayed if it is not good.

4. AM SD voltage writing

- 1) Enter test mode.
- 2) Receive 999kHz or 1000kHz with the SG and set the ANT input level to 35dB μ .
The modulation should be off during this.
- 3) While holding preset **[1]** key, press and hold preset **[6]** key for a few seconds to write the SD voltage.

5. CD receiver test mode specification

Pressing the **[▶▶]** key jumps between tracks in the following order.

No.9 → No.15 → No.10 → No.11 → No.12
→ No.13 → No.14 → No.19 (Same as the beginning)

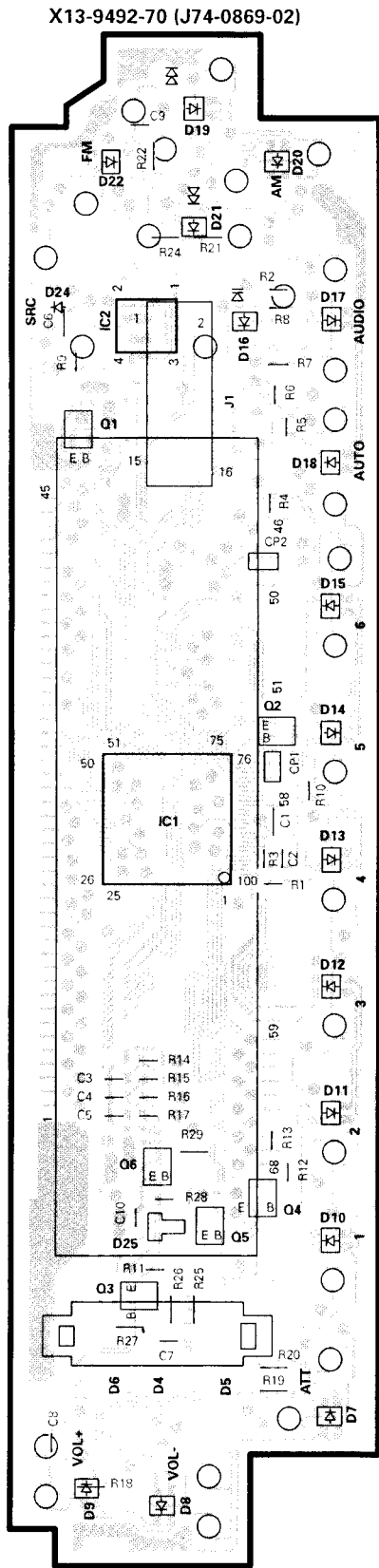
Pressing the **[◀◀]** key jumps to the previous track to the track being played.

6. Audio adjustments

- The volume is set to -10dB (which is shown as 30).
- The BASS/TREBLE and BALANCE/FADER controls can be set to the full boost/full cut and full front/full rear respectively by pressing the **[^]** / **[v]** keys.
- The high pass filter can be set to 220Hz/through by pressing the **[^]** / **[v]** keys.
- Note that, however, the non-fader control is varied in +1dB/ -1dB steps by pressing the **[^]** / **[v]** keys.

PC BOARD (Component side view)

SWITCH UNIT (X13-9492-70)

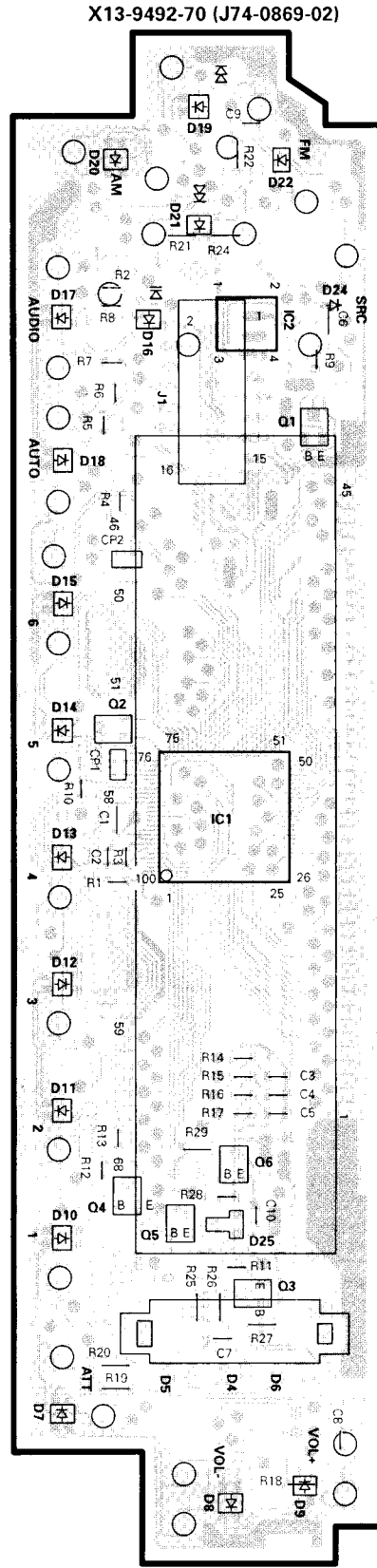


(X13-9492-70)

Ref. No.	Address
IC1	4A
IC2	3A
Q1	3A
Q2	4B
Q3	6A
Q4	6B
Q5	6B
Q6	6A

PC BOARD (Foil side view)

SWITCH UNIT (X13-9492-70)



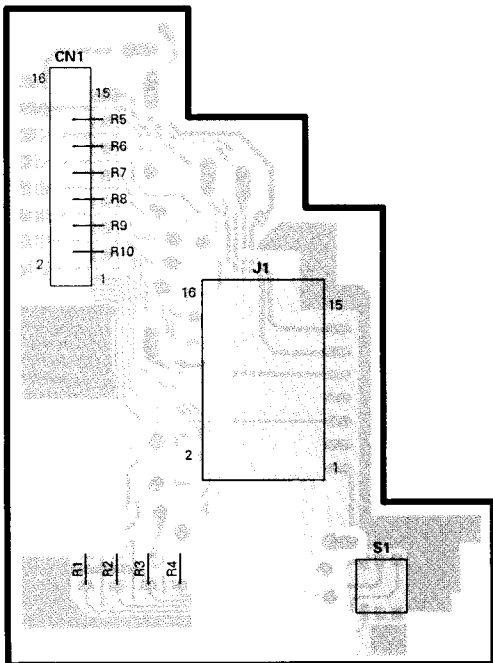
(X13-9492-70)

Ref. No.	Address
IC1	4D
IC2	3D
Q1	3D
Q2	4D
Q3	6D
Q4	6C
Q5	6D
Q6	6D

PC BOARD (Component side view)

DAUGHTER UNIT (X89-2362-70)

X89-2362-70
(J74-0720-12)

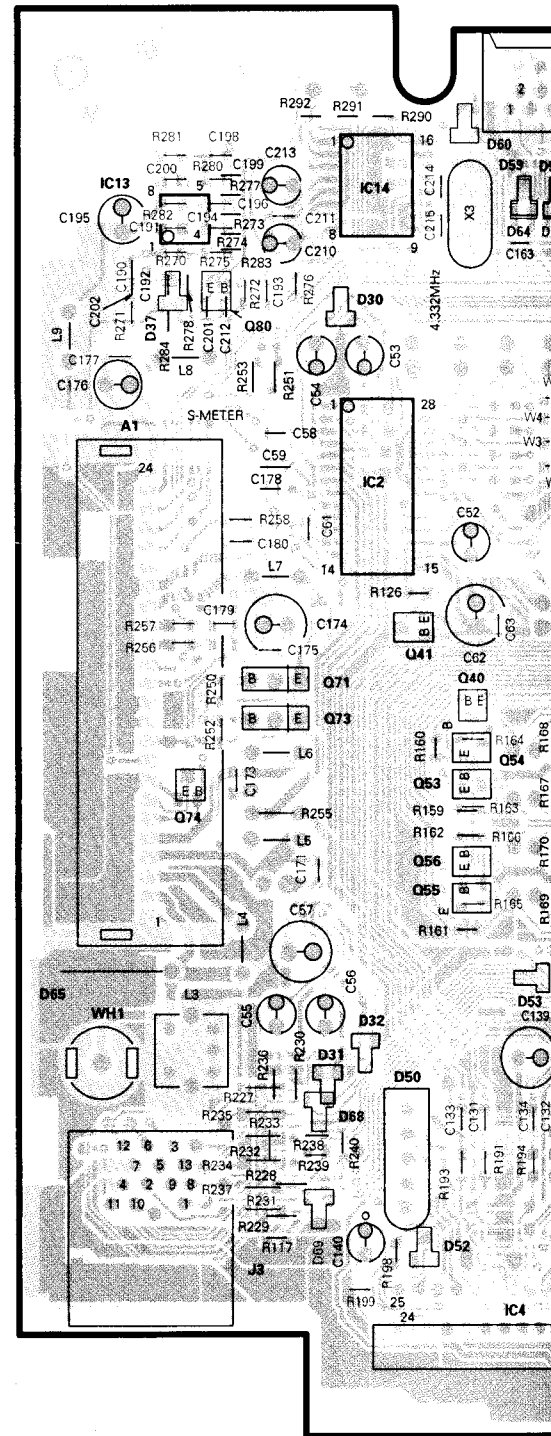


ELECTRIC UNIT (X25-8302-70)

X25-8302-70 (J74-0870-02)

(X25-8302-70)

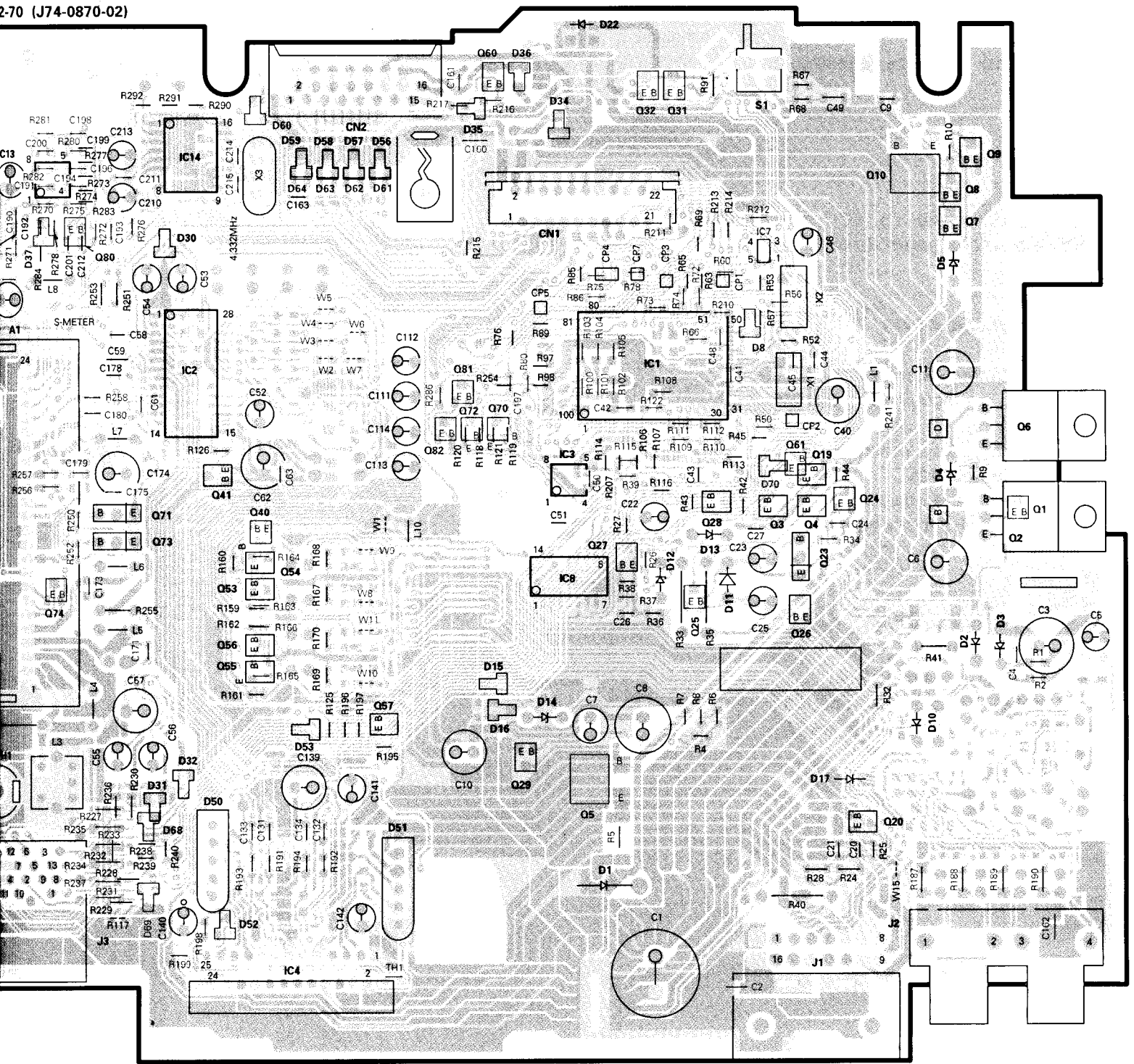
Ref. No.	Address
IC1	3M
IC2	3J
IC3	4L
IC4	6K
IC7	3M
IC8	4L
IC13	2J
IC14	2J
Q1	4N
Q2	4N
Q3	4M
Q4	4M
Q5	5L
Q6	3N
Q7	3N
Q8	2N
Q9	2N
Q10	2N
Q19	4M
Q20	5N
Q23	4M
Q24	4N
Q25	4M
Q26	4M
Q27	4L
Q28	4M
Q29	5L
Q31	2M
Q32	2M
Q40	4K
Q41	4K
Q53	4K
Q54	4K
Q55	5K
Q56	4K
Q57	5K
Q60	2L
Q61	4M
Q70	3L
Q71	4J
Q72	3L
Q73	4J
Q74	4J
Q80	3J
Q81	3L
Q82	4L



Refer to the schematic diagram for the values of resistors and capacitors.

RIC UNIT (X25-8302-70)

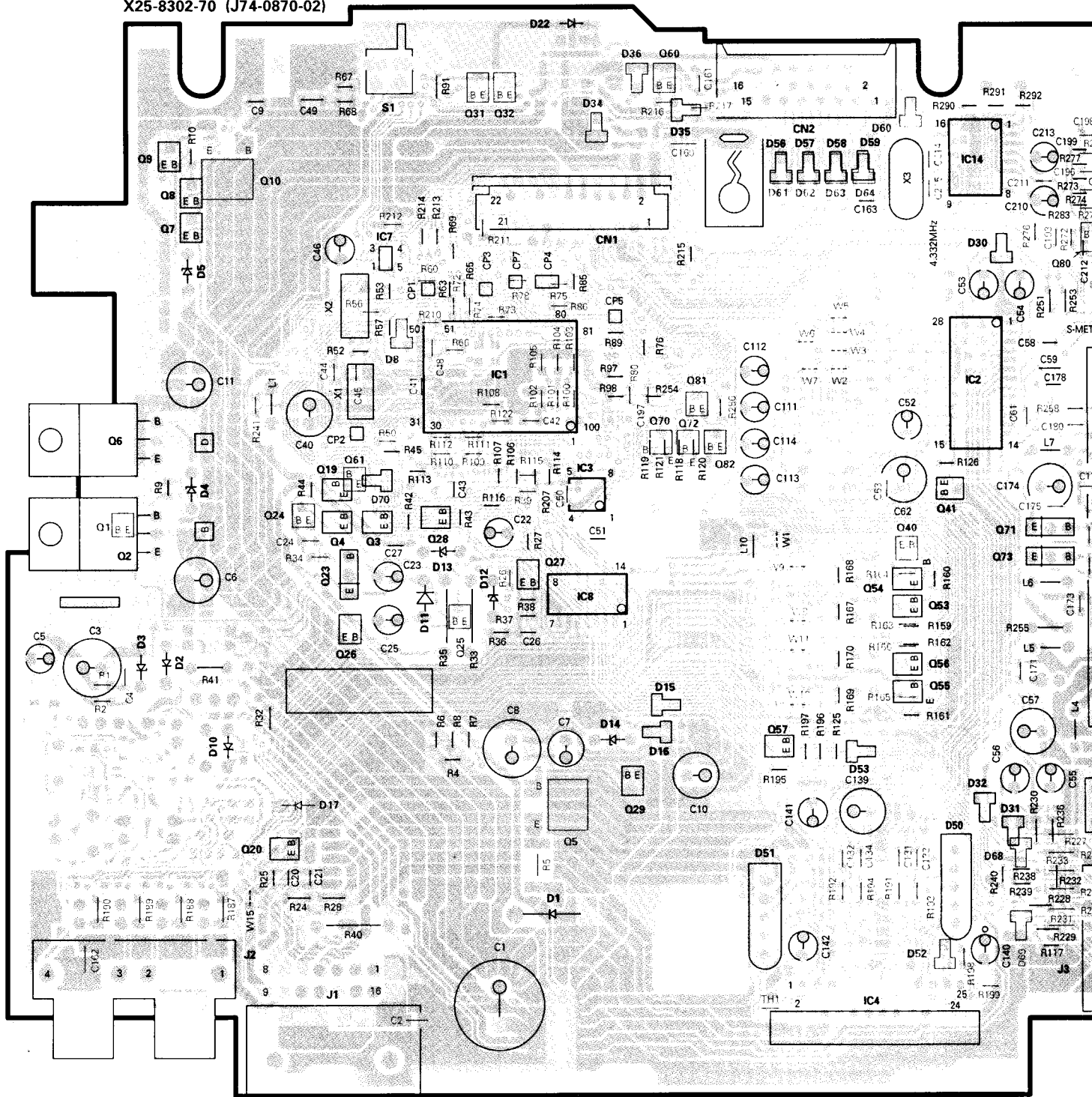
2-70 (J74-0870-02)

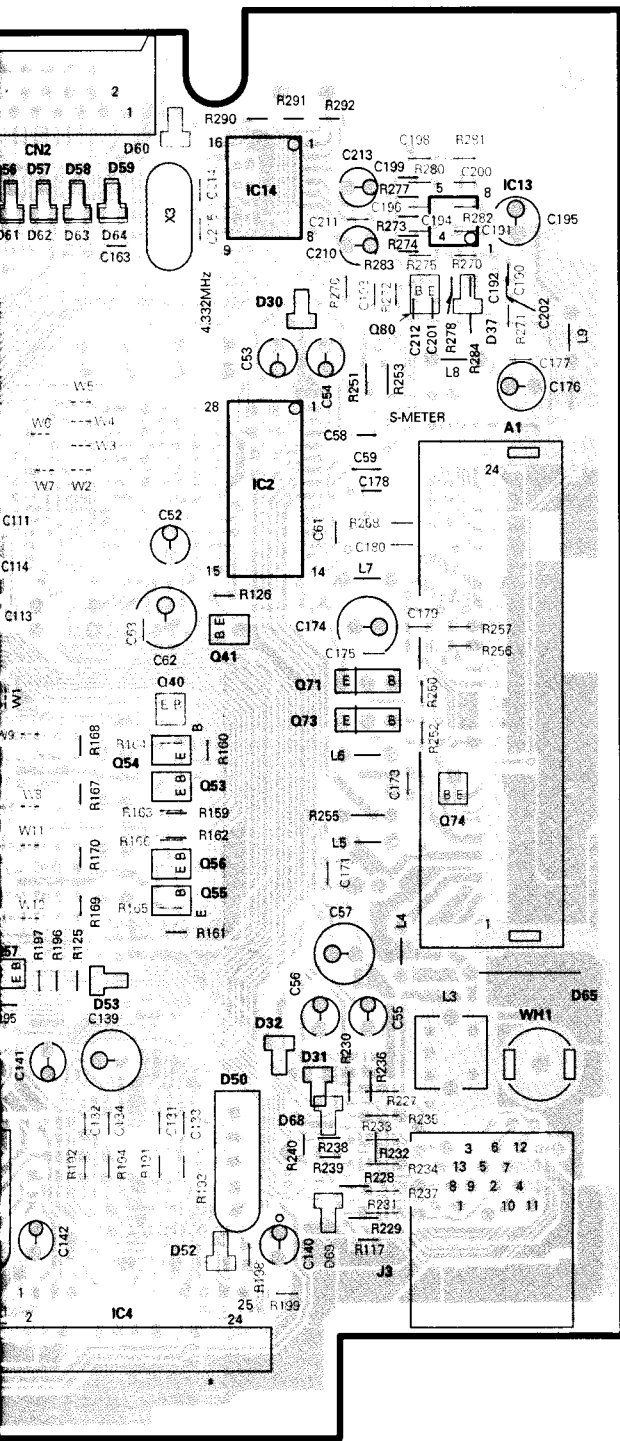


PC BOARD (Foil side view)

ELECTRIC UNIT (X25-8302-70)

X25-8302-70 (J74-0870-02)



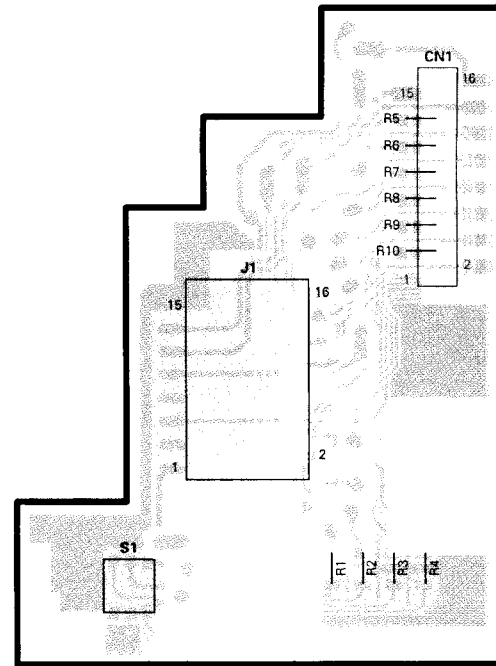


(X25-8302-70)

Ref. No.	Address
IC1	3S
IC2	3U
IC3	4S
IC4	6T
IC7	3R
IC8	4S
IC13	2V
IC14	2U
Q1	4Q
Q2	4Q
Q3	4R
Q4	4R
Q5	5S
Q6	3Q
Q7	3Q
Q8	2Q
Q9	2Q
Q10	2R
Q19	4R
Q20	5Q
Q23	4R
Q24	4R
Q25	4R
Q26	4R
Q27	4S
Q28	4R
Q29	5S
Q31	2R
Q32	2S
Q40	4T
Q41	4U
Q53	4U
Q54	4T
Q55	5U
Q56	4U
Q57	5T
Q60	2S
Q61	4R
Q70	3S
Q71	4U
Q72	3S
Q73	4U
Q74	4U
Q80	3U
Q81	3S
Q82	4T

DAUGHTER UNIT (X89-2362-70)

X89-2362-70
(J74-0720-12)

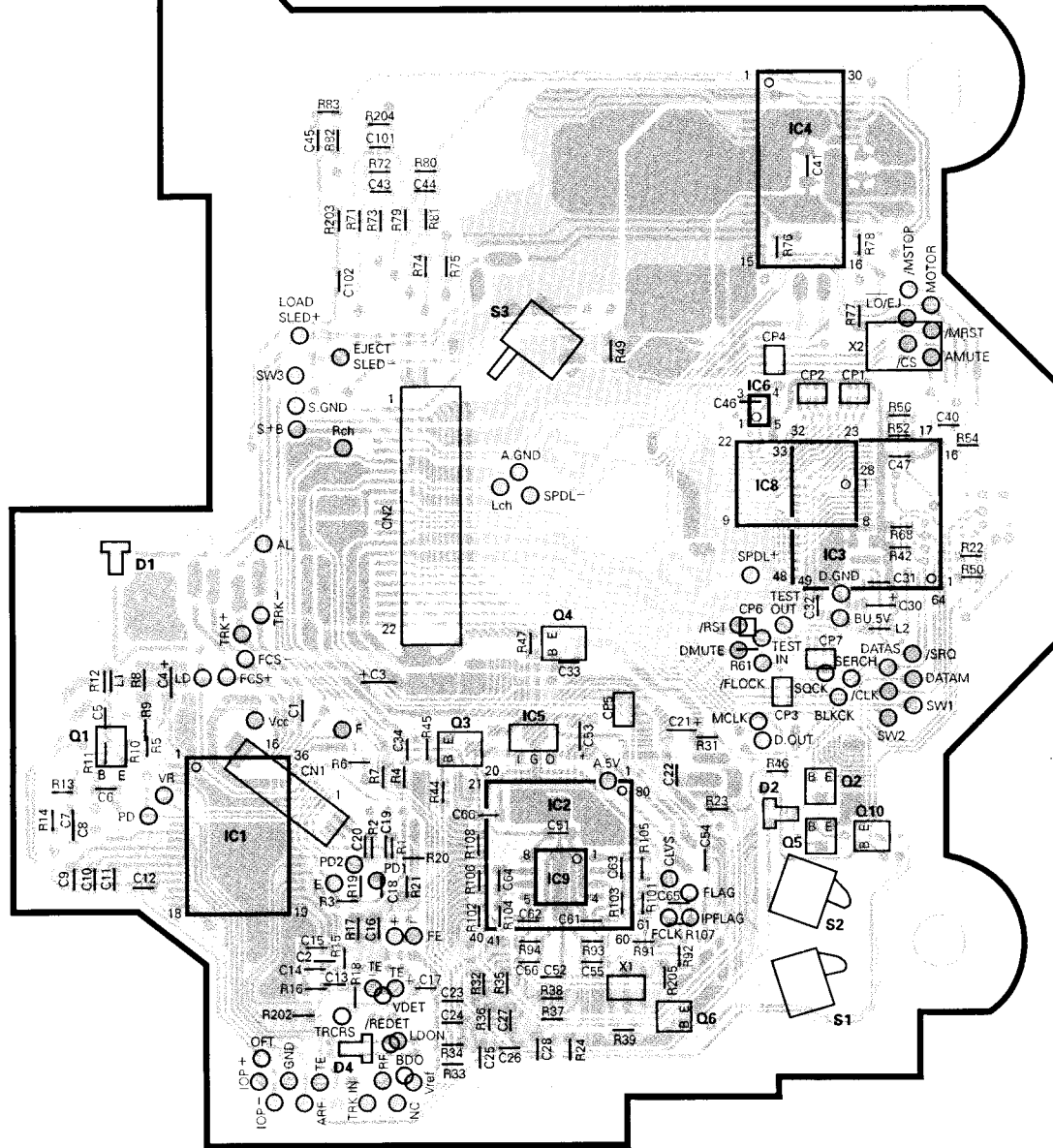


Refer to the schematic diagram for the values of resistors and capacitors

PC BOARD (Component side view)

CD PLAYER UNIT (X32-4440-00)

X32-4440-00/4570-00 (J74-0698-02)



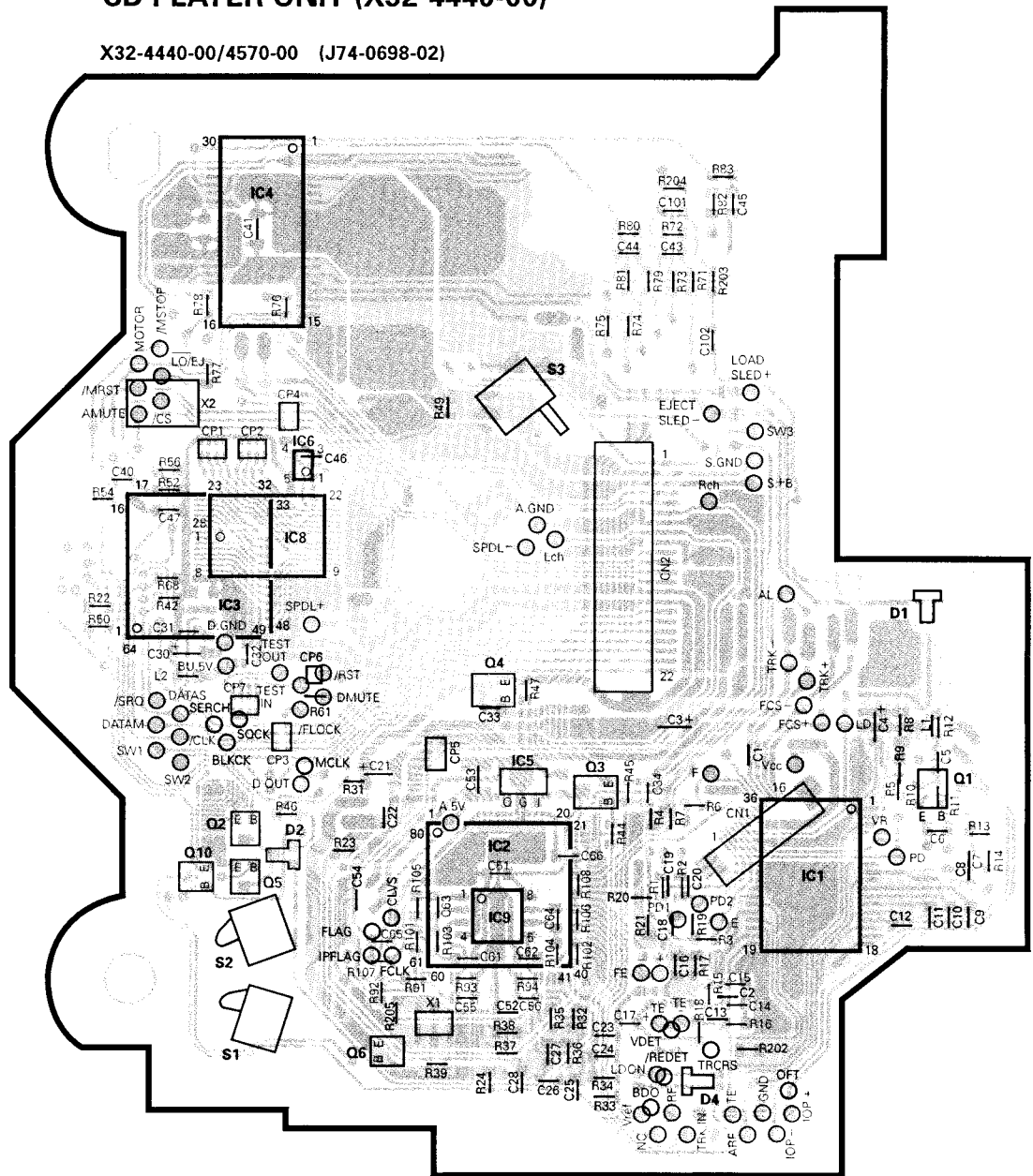
(X32-4440-00)

Ref. No.	Address	Ref. No.	Address
IC1	4AA	Q1	4AA
IC2	4AB	Q2	4AC
IC3	3AC	Q3	4AB
IC4	2AC	Q4	4AB
IC5	4AB	Q5	4AC
IC6	3AC	Q6	5AC
IC8	3AC	Q10	4AC
IC9	5AB		

PC BOARD (Foil side view)

CD PLAYER UNIT (X32-4440-00)

X32-4440-00/4570-00 (J74-0698-02)

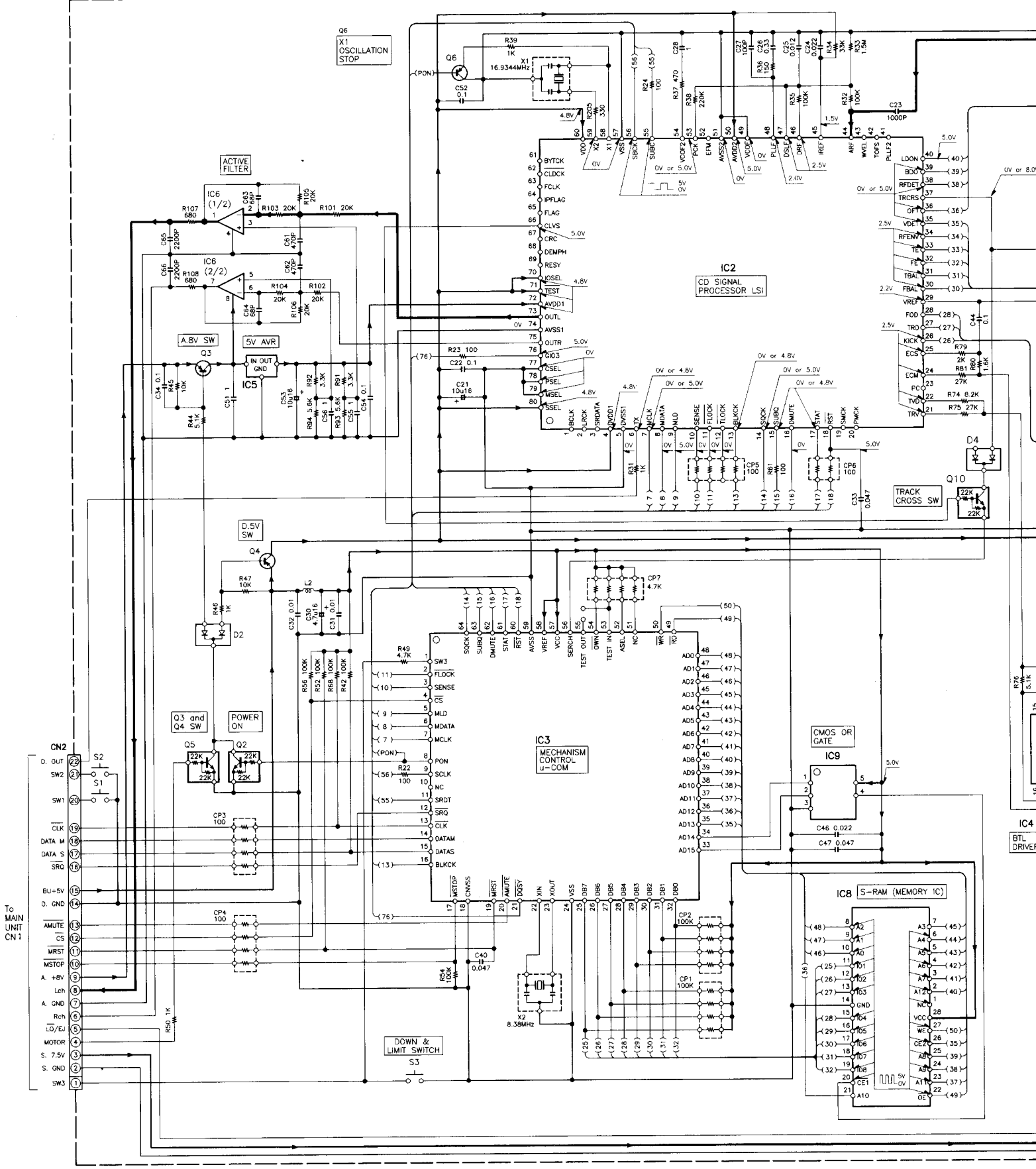


(X32-4440-00)

Ref. No.	Address	Ref. No.	Address
IC1	4AH	Q1	4AI
IC2	4AG	Q2	4AF
IC3	3AF	Q3	4AG
IC4	2AF	Q4	4AG
IC5	4AG	Q5	4AF
IC6	3AF	Q6	5AG
IC8	3AF	Q10	4AF
IC9	5AG		

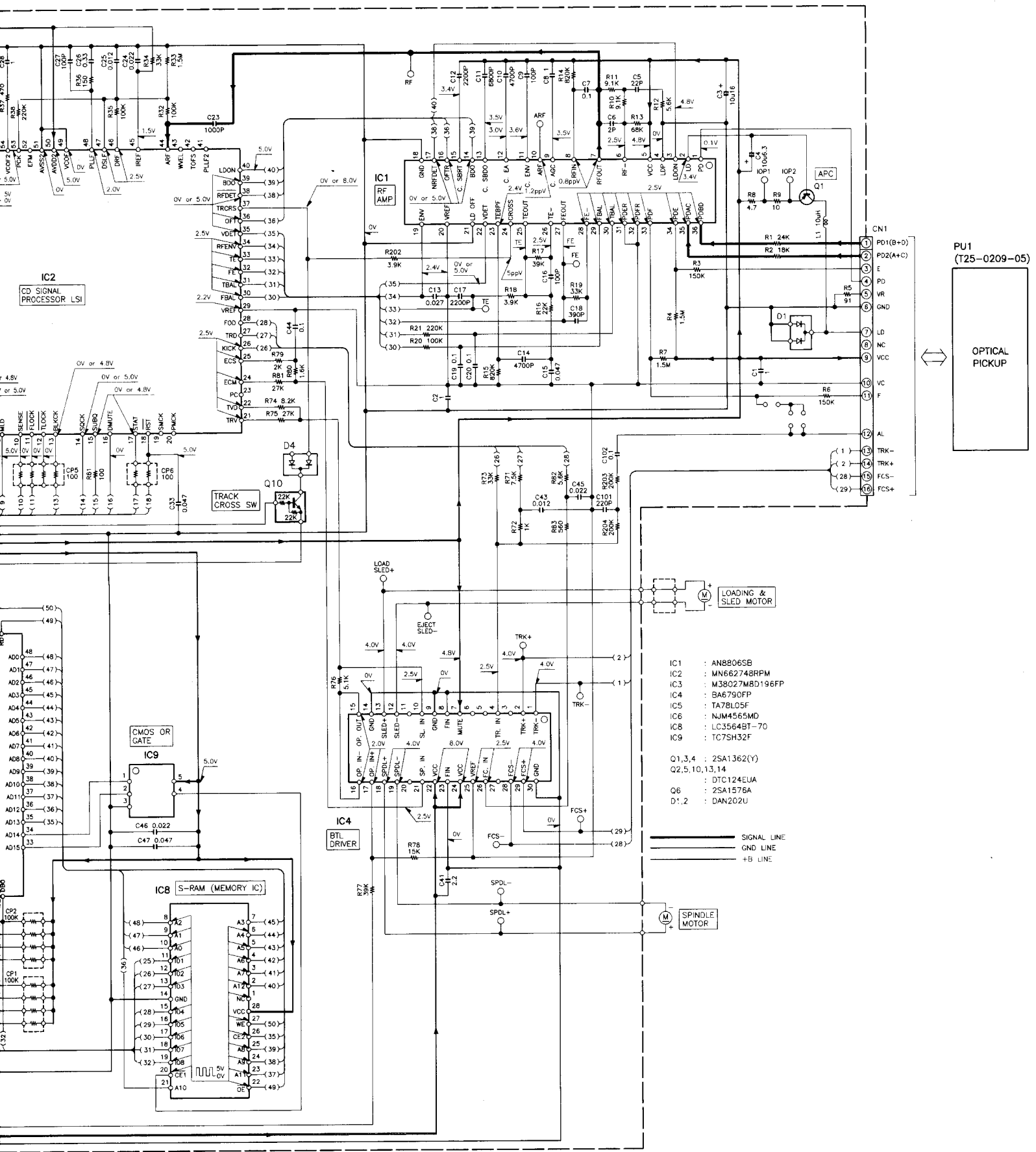
Refer to the schematic diagram for the values of resistors and capacitors.

(X32-4440-00/4570-00) CD PLAYER UNIT



.DC voltages are as measured with a high impedance voltmeter. Values may vary slightly due to variations between individual instruments or/and units.

CAUTION: For continued safety, replace safety critical components (refer to parts list). Δ Indicates safety critical components. Current or resistance measurements shall be carried out on the supply circuit before the appliance is returned to the customer.



PU1
(T25-0209-05)

OPTICAL PICKUP

- IC1 : AN8806SB
 - IC2 : MN662748RPM
 - IC3 : M38027M8D196FP
 - IC4 : BA6790FP
 - IC5 : TA78L05F
 - IC6 : NJM4565MD
 - IC8 : LC3564BT-70
 - IC9 : TC7SH32F
- Q1,3,4 : 2SA1362(Y)
 - Q2,5,10,13,14 : DTC124EUA
 - O6 : 2SA1576A
 - D1,2 : DAN202U

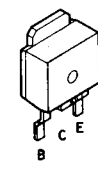
— SIGNAL LINE
- - - GND LINE
- + - +B LINE

CAUTION: For continued safety, replace safety critical components only with manufacturer's recommended parts (refer to parts list). ⚠ Indicates safety critical components. To reduce the risk of electric shock, leakage-current or resistance measurements shall be carried out (exposed parts are acceptably insulated from the supply circuit) before the appliance is returned to the customer.

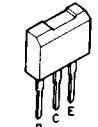
KDC-6070R/
KENWOOD



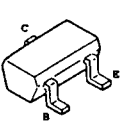
DTA124EK
DTC114TK
DTC114YK
DTC124EK
DTC144EK
2SA1036K
2SA1362
2SB709A
2SC2412K
2SD2114K



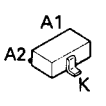
2SB1184



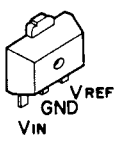
2SB1277



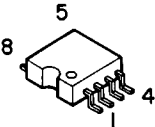
2SA1037K



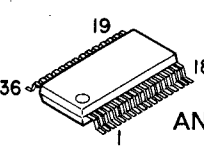
DAN202K
DAN202U



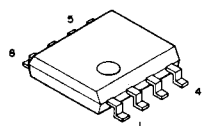
TA78L05F



BR24C01AF



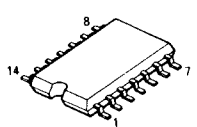
AN8806SB



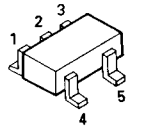
NJM4565M-TE2
NJM4565MD



DA204K

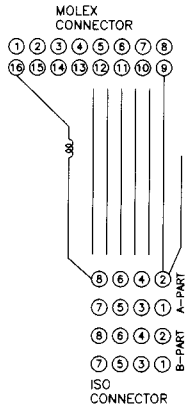


TC74HC02AF



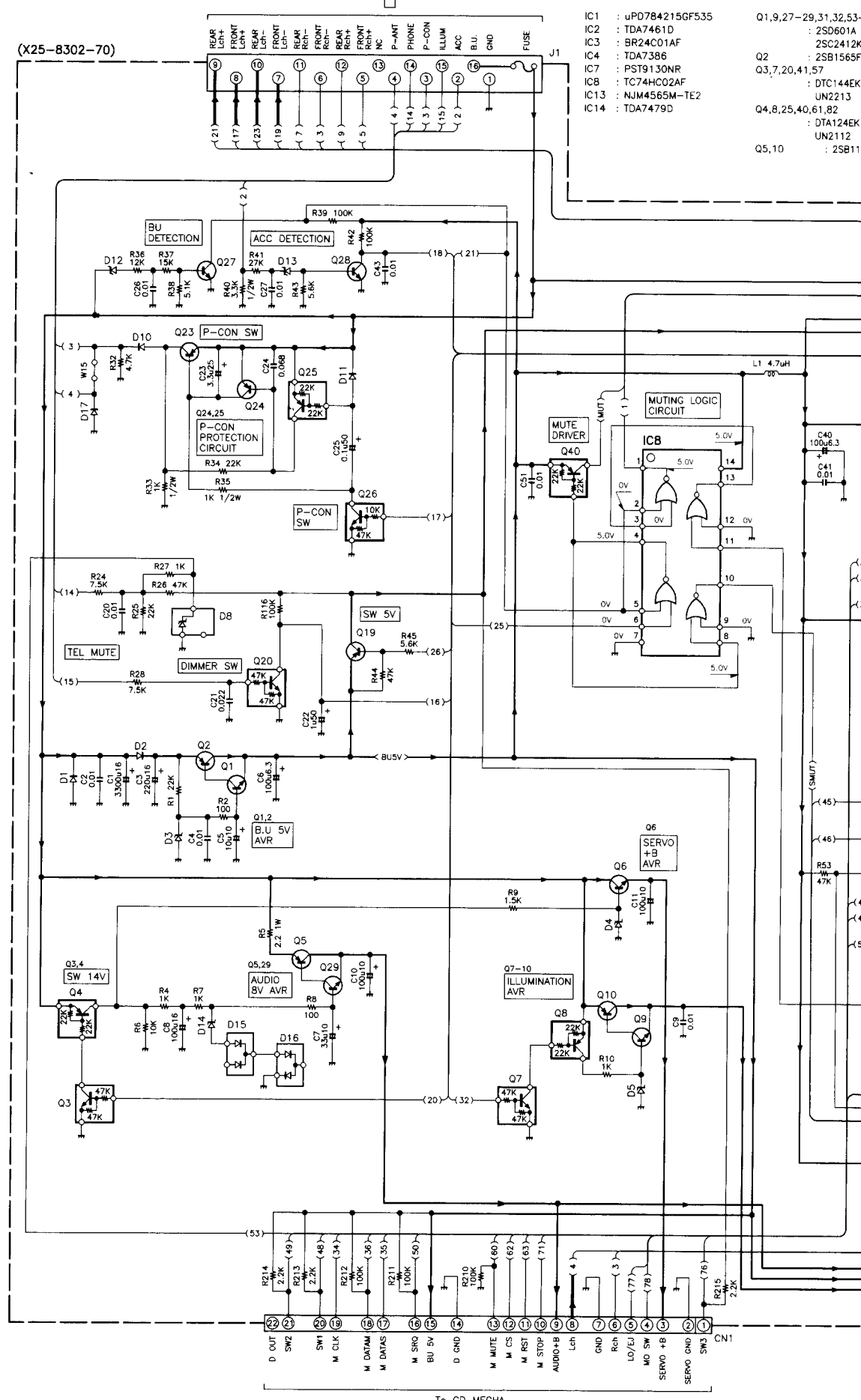
PST9130NR

(E30-4694-05)



MOLEX	ISO	FUNCTION
1	A-8	GND
2	A-7	ACC
3	A-5	P. CONT OUT
4	N. C	
5	B-3	FRONT R(+)
6	B-4	FRONT R(-)
7	B-6	FRONT L(-)
8	B-5	FRONT L(+)
9	B-7	REAR L(+)
10	B-8	REAR L(-)
11	B-2	REAR R(-)
12	B-1	REAR R(+)
13	N. C	
14	TEL MUTE	
15	A-6	ILLUMI
16	A-4	BU14V

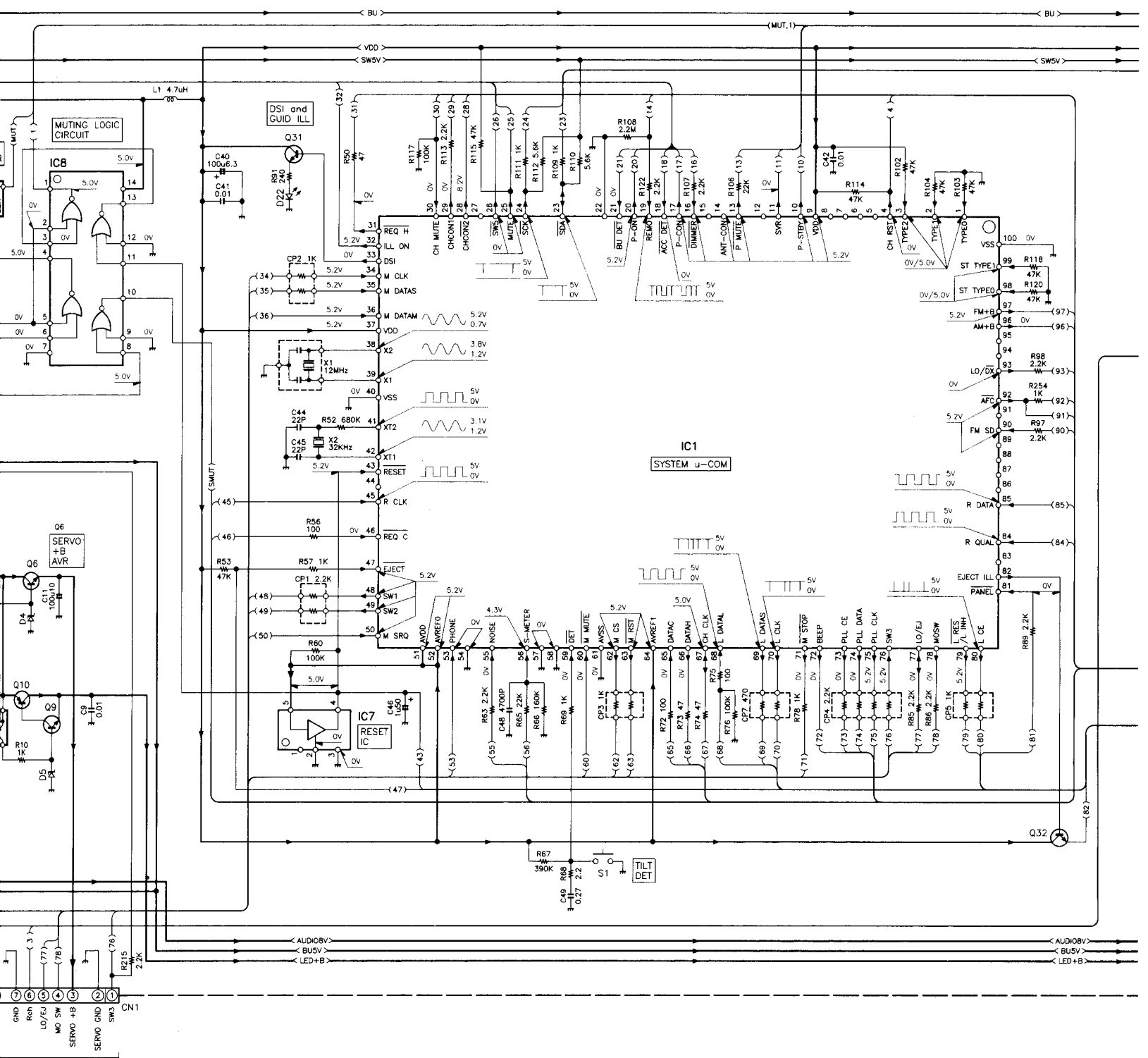
(X25-8302-70)

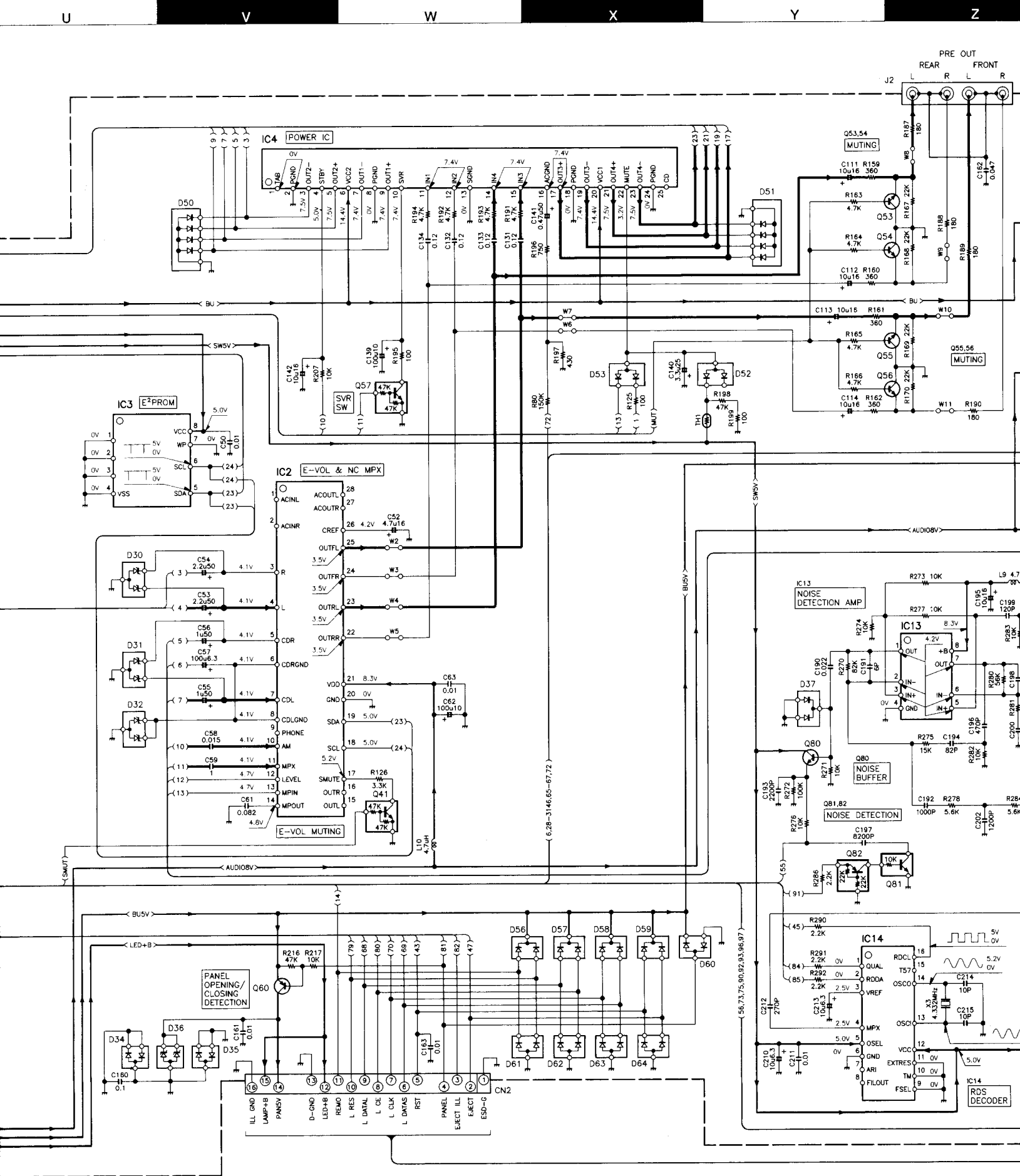


- IC1 : uP0784215GF535
 - IC2 : TD47461D
 - IC3 : BR24C01AF
 - IC4 : TDA7386
 - IC7 : PST9130NR
 - IC8 : TC74HC02AF
 - IC13 : NJM4565M-TE2
 - IC14 : TDA7479D
- Q1,9,27-29,31,32,53-54 : 2SD601A
 - Q2 : 2SC2412K
 - Q3,7,20,41,57 : DTC144EK
 - Q4,8,25,40,61,82 : DTA124EK
 - Q5,10 : 2SB1184

To CD MECHA.

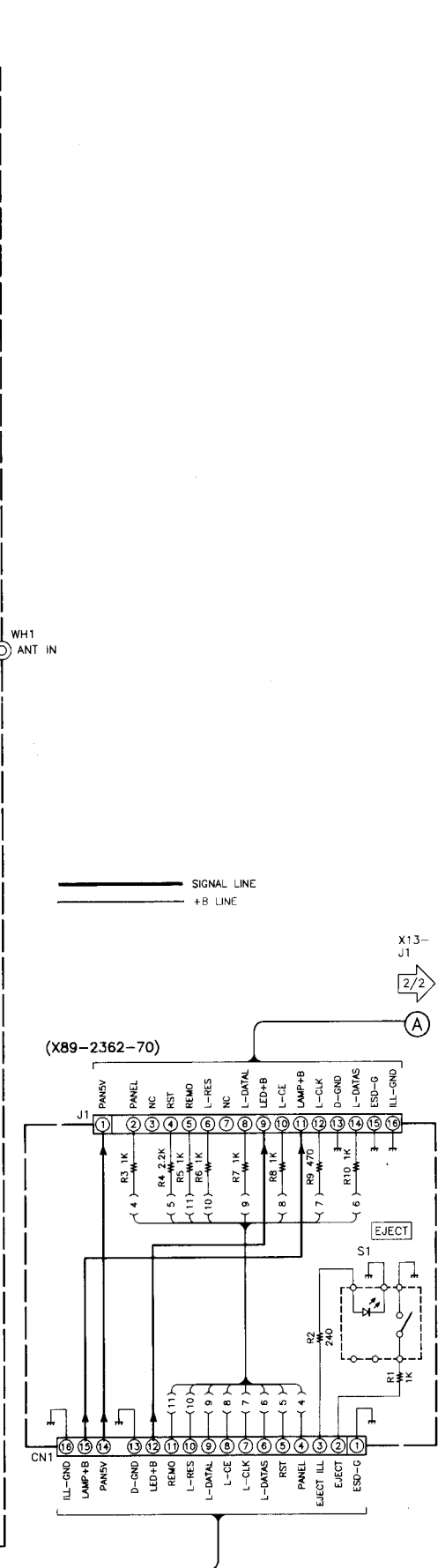
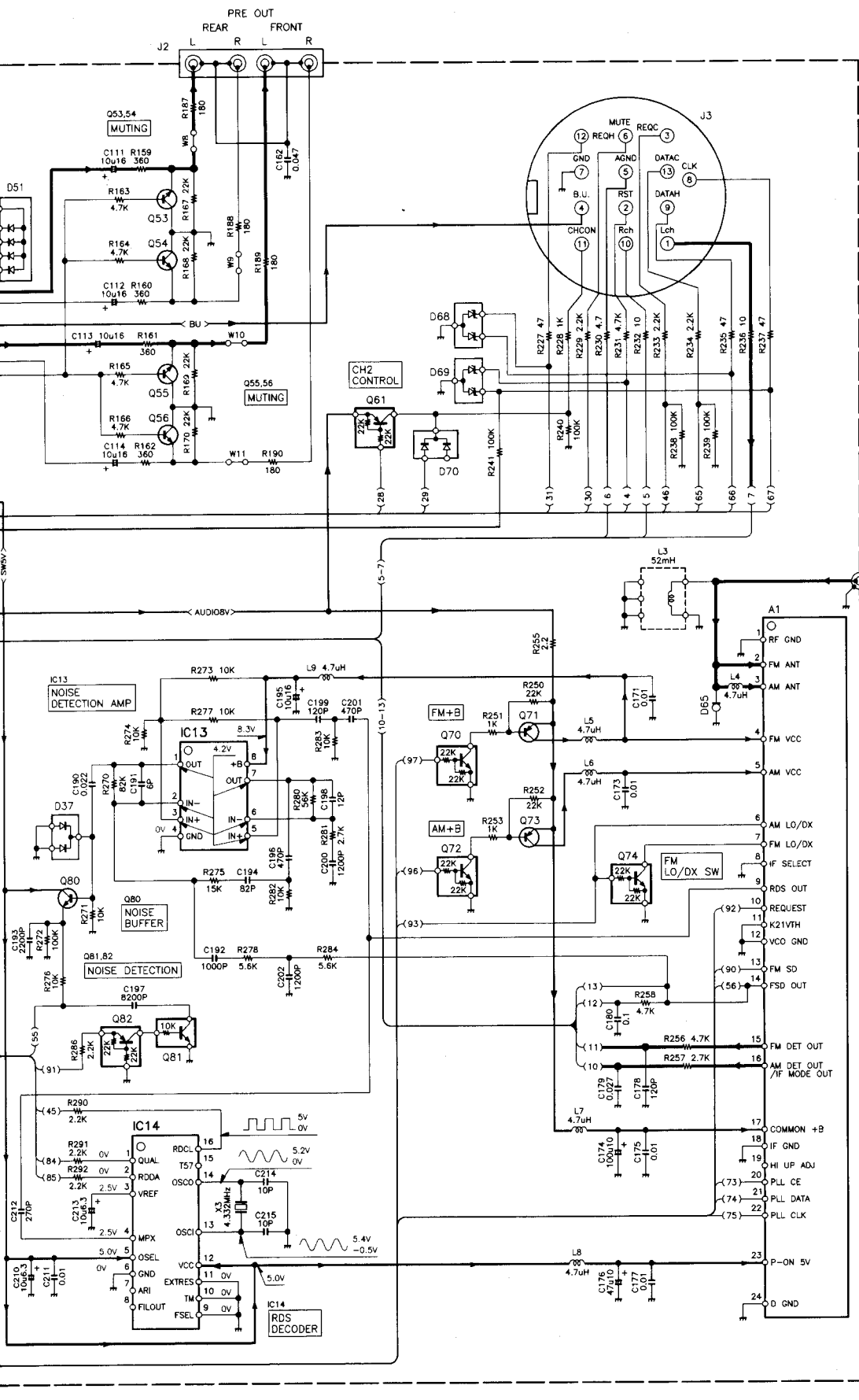
IC1 : uPD784215GF53S	Q1,9,27-29,31,32,53-56,80	Q6 : 2SD2396F40	D1 : RM10ZLF	D16,34,35,54,60 : DA204K
IC2 : TDA7461D	: 2SD601A or	Q19 : 2SA1036K	D2,10 : AM01Z or	D17 : D1F60
IC3 : BR24C01AF	: 2SC2412K	Q23,71,73 : 2SB1277(Q,R)	ERA15-01	D22 : B30-1424-05
IC4 : TDA7386	: 2SB1565F(E,F)	Q24,60 : 2SA1037K or	D3,12,13 : MA4056(N)-M	D30-32 : RD6.8MW
IC7 : PST9130NR	Q3,7,20,41,57	2SB709A	D4 : MA4082(N)-L	D36,68,69 : MA3062WA or
IC8 : TC74HC02AF	: DTC144EK or	Q26 : DTC114YK or	D5 : MA4110-L	UZMA6.2F
IC13 : NJM4565M-TE2	UN2213	UN2214	D8 : HZM4.7N(B2) or	D50,51 : D1CA60R
IC14 : TDA7479D	Q4,8,25,40,61,82	Q70,72,74 : DTC124EK or	MA3047-M	D52,53,61-64 : MA152WA or
	: DTA124EK or	UN2212	D11 : 1SS133	DAP202K
	UN2112	Q81 : DTC114TK or	D14 : MA4068(N)-M	D65 : DSP-301N-A21F
	Q5,10 : 2SB1184	UN2215	D15,37,56-59,70	
			MA152WK or	
			DAN202K	





DC voltages are as measured with a high impedance voltmeter. Values may vary slightly due to variations between individual instruments or/and units.

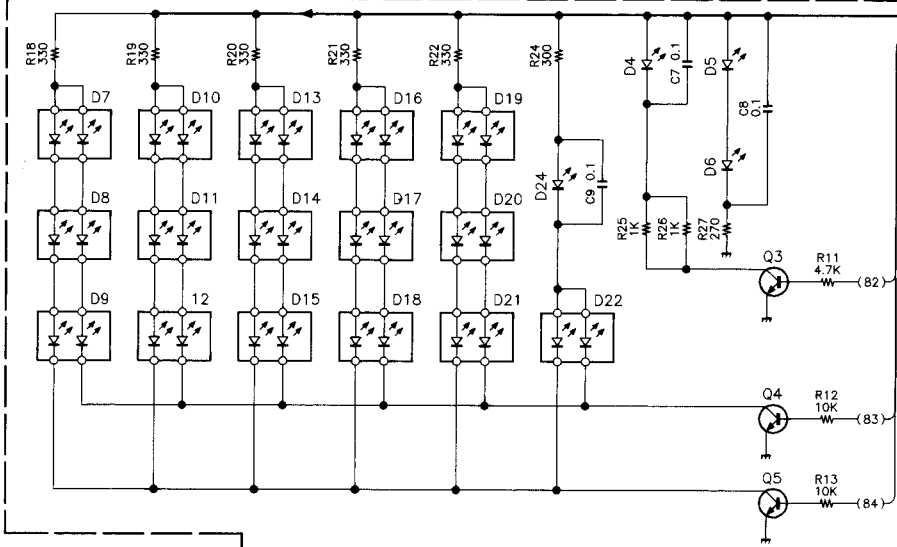
CAUTION: For continued safety, replace safety critical components (refer to parts list). ⚠ Indicates safety critical components. Current or resistance measurements shall be carried out on the supply circuit before the appliance is returned to the customer.



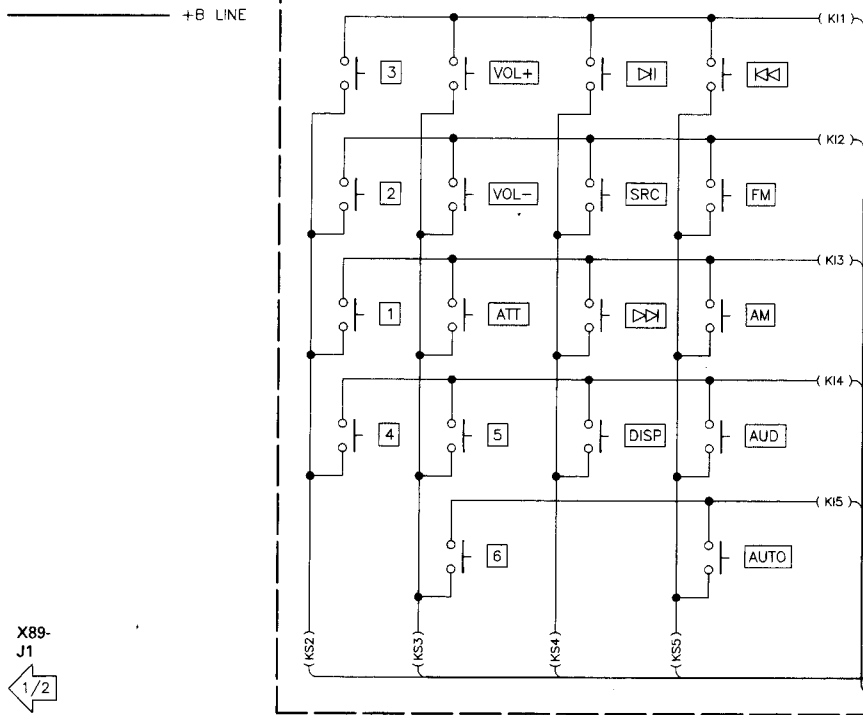
For continued safety, replace safety critical components only with manufacturer's recommended (to parts list). ⚠ Indicates safety critical components. To reduce the risk of electric shock, leakage-resistance measurements shall be carried out (exposed parts are acceptably insulated from the chassis) before the appliance is returned to the customer.



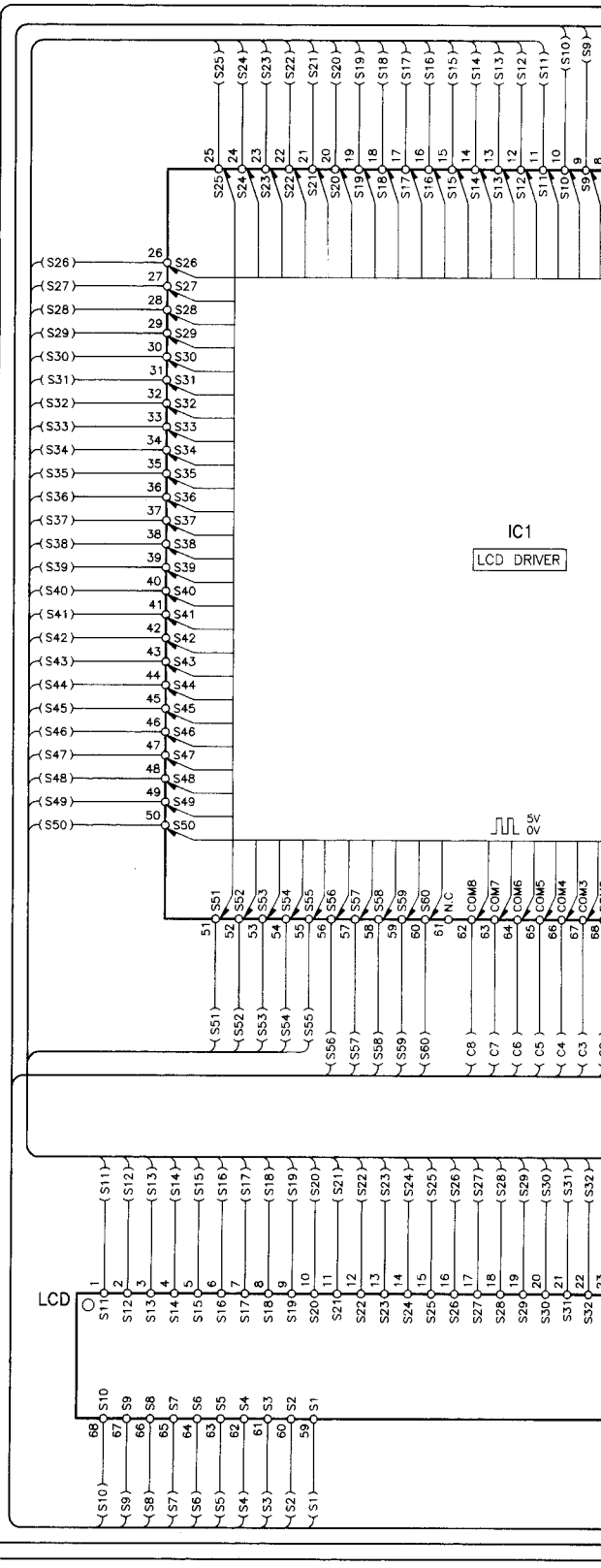
SWITCH UNIT
(X13-9492-70)



- IC1 : LC75817W
- IC2 : RS-171
- Q1,2 : DTA124EK
- Q3,6 : 2SC2412K
- Q4,5 : 2SD2114K
- D4-6 : B30-1542-05
- D7-22 : B30-1349-05
- D24 : B30-1489-05
- D25 : MA3091-M

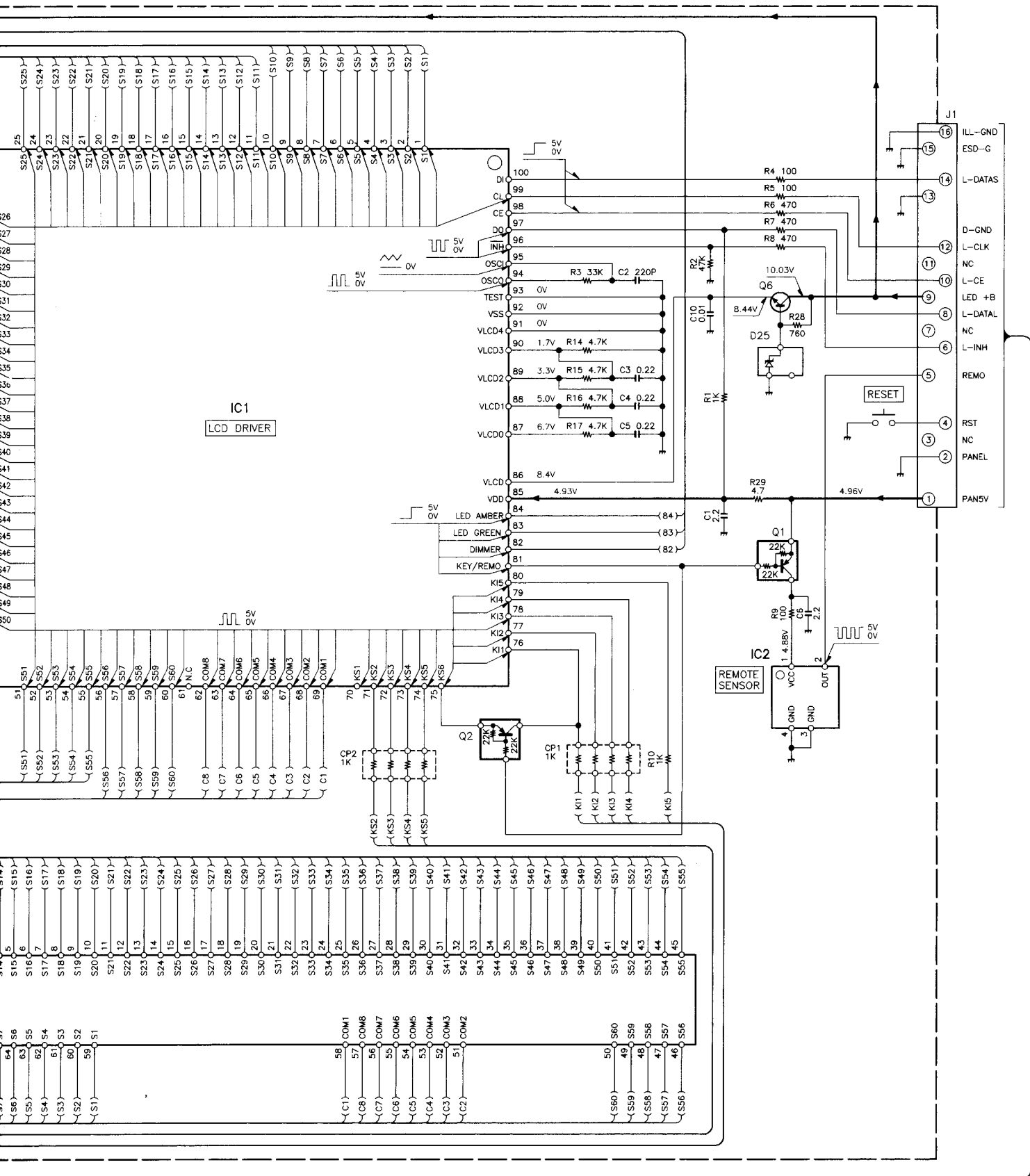


X89-
J1
1/2
A



DC voltages are as measured with a high impedance voltmeter. Values may vary slightly due to variations between individual instruments or/and units.

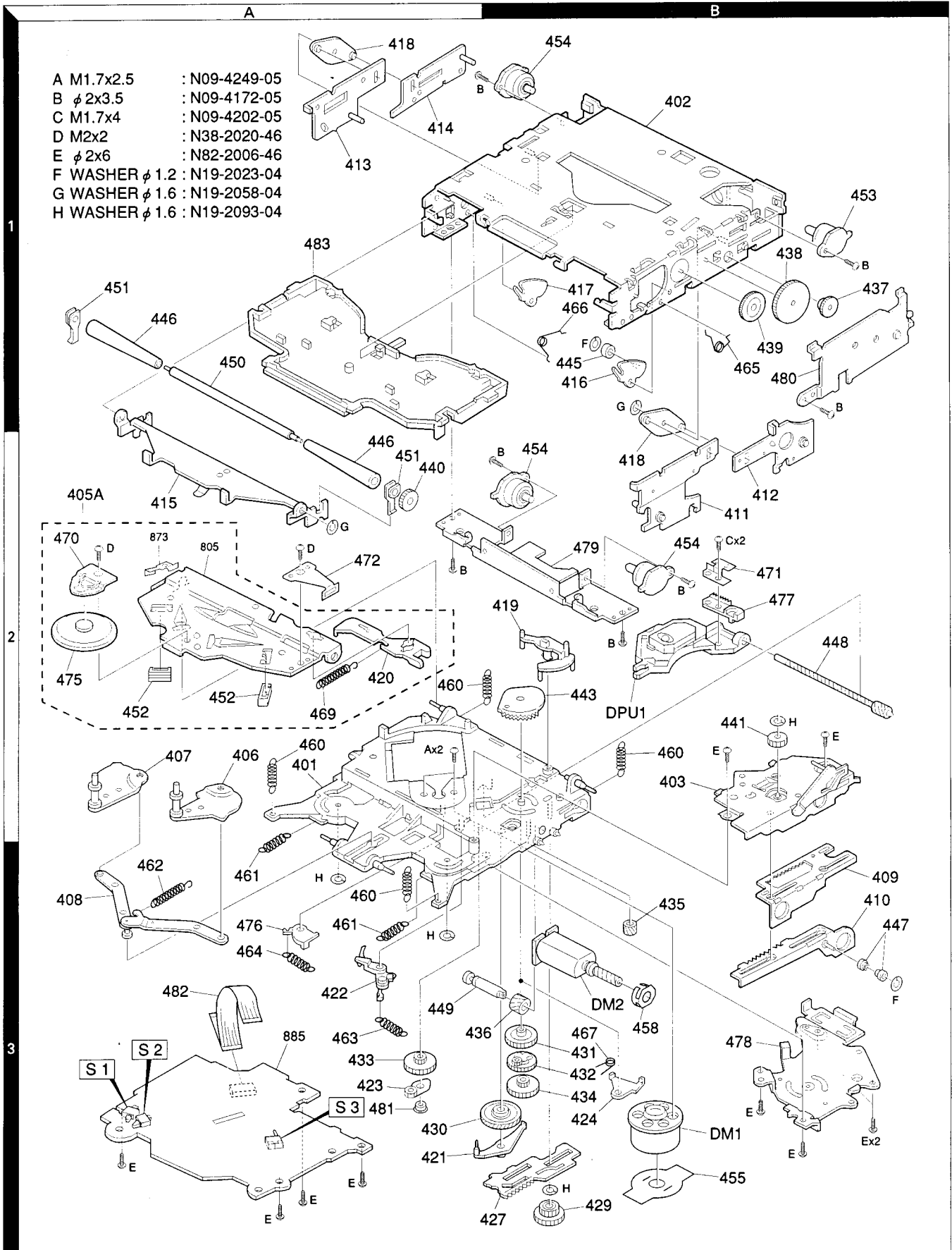
CAUTION: For continued safety, replace safety critical components (refer to parts list). ⚠ Indicates safety critical components. current or resistance measurements shall be carried out (exposed supply circuit) before the appliance is returned to the customer.



continued safety, replace safety critical components only with manufacturer's recommended (see parts list). ⚠ Indicates safety critical components. To reduce the risk of electric shock, leakage current measurements shall be carried out (exposed parts are acceptably insulated from the chassis) before the appliance is returned to the customer.



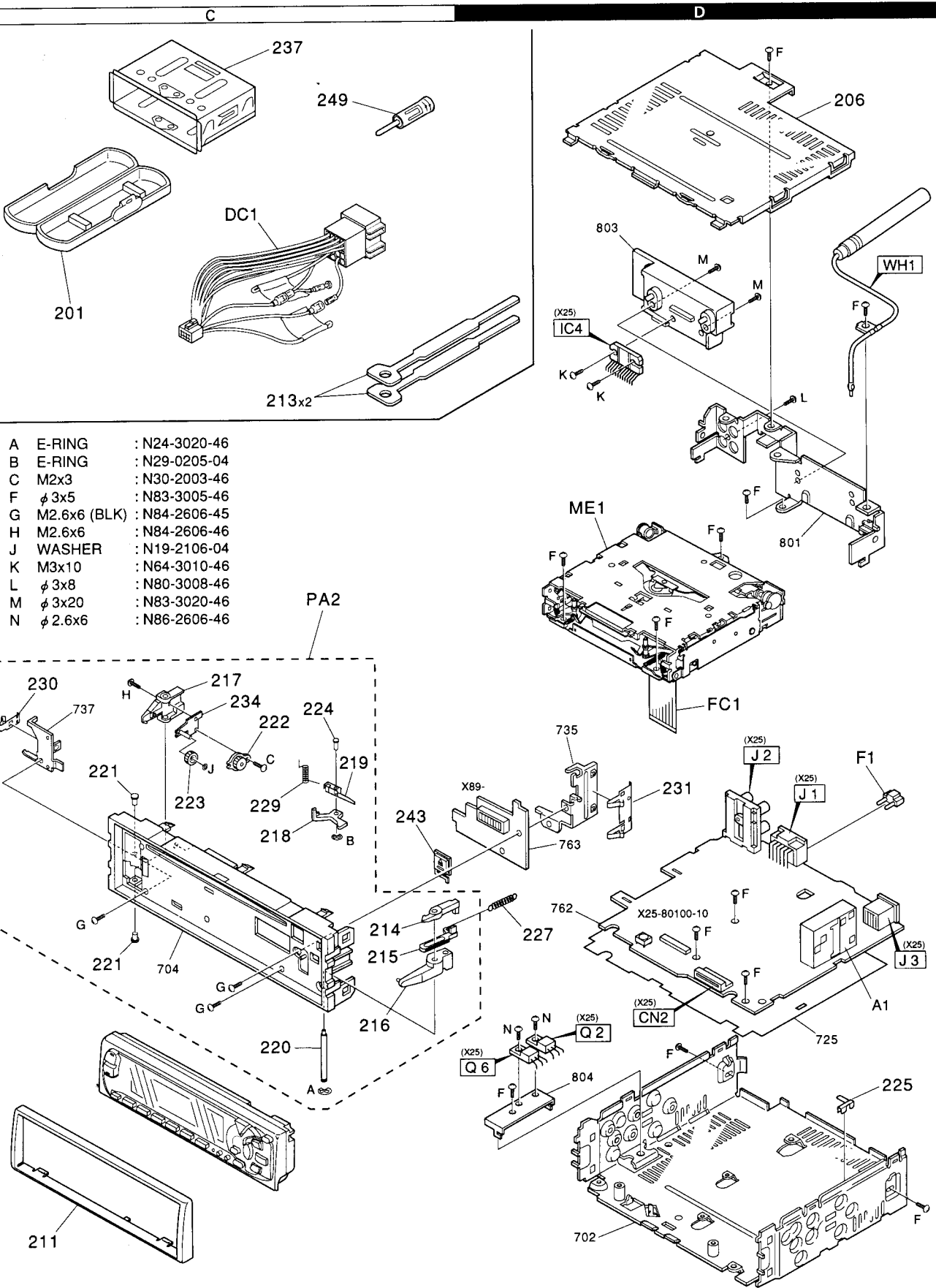
EXPLODED VIEW (MECHANISM)



Parts with the exploded numbers larger than 700 are not supplied.

KDC-6070R/RV

EXPLODED VIEW (UNIT)



- | | | |
|---|--------------|---------------|
| A | E-RING | : N24-3020-46 |
| B | E-RING | : N29-0205-04 |
| C | M2x3 | : N30-2003-46 |
| F | φ 3x5 | : N83-3005-46 |
| G | M2.6x6 (BLK) | : N84-2606-45 |
| H | M2.6x6 | : N84-2606-46 |
| J | WASHER | : N19-2106-04 |
| K | M3x10 | : N64-3010-46 |
| L | φ 3x8 | : N80-3008-46 |
| M | φ 3x20 | : N83-3020-46 |
| N | φ 2.6x6 | : N86-2606-46 |

OR/RV
2-70)

Desti-
nation
± 向

b)

1/10W
1/10W
1/10W
1/10W

1/10W
1/10W
1/10W
1/10W
1/10W

1/10W
1/8W
1/8W
1/8W

1/10W
1/8W

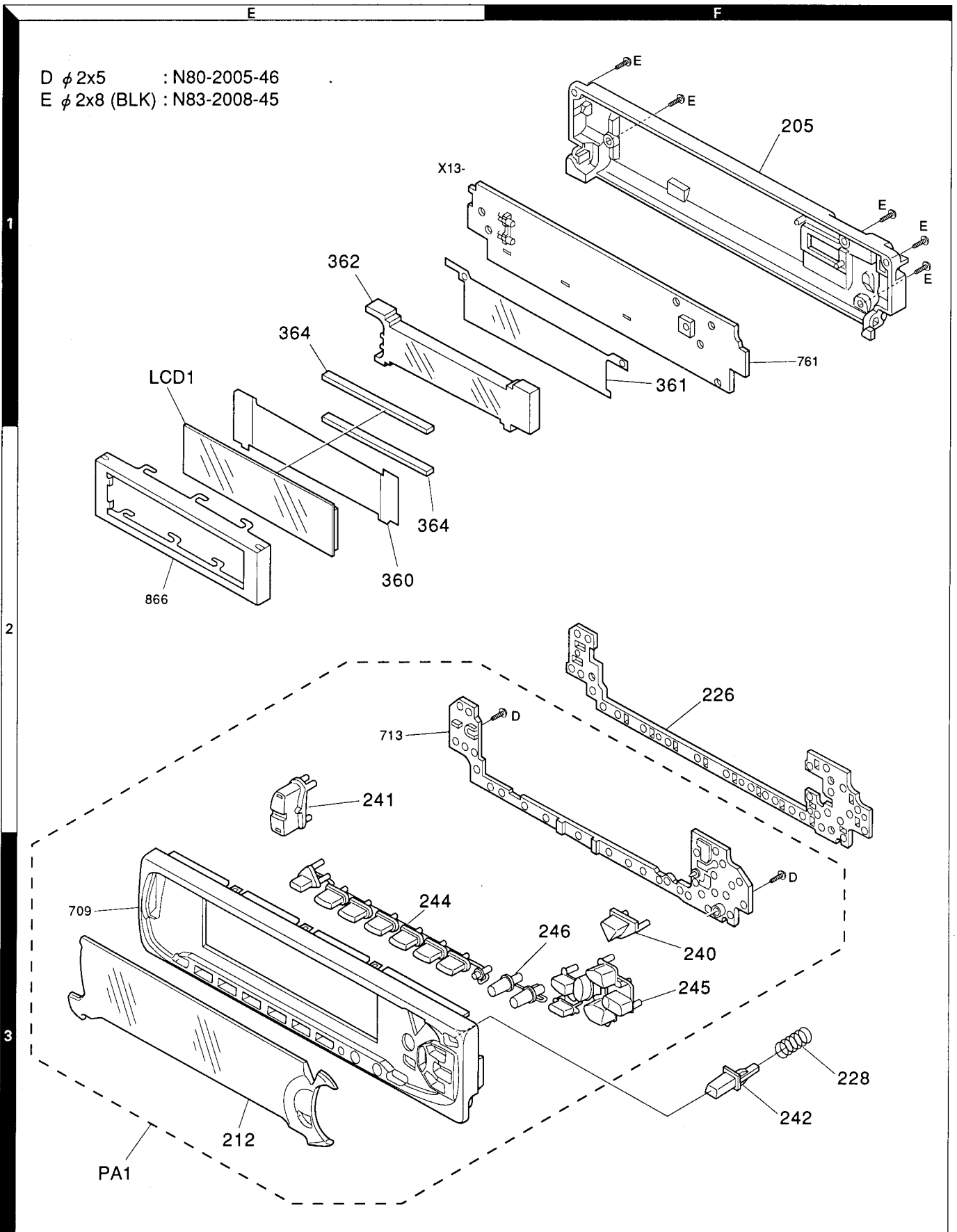
nts.

Parts with the exploded numbers larger than 700 are not supplied.

EXPLODED VIEW (UNIT)

D ϕ 2x5 : N80-2005-46

E ϕ 2x8 (BLK) : N83-2008-45



KDC-6070R/RY

PARTS LIST

* New Parts

Parts without Parts No. are not supplied.

Les articles non mentionnés le Parts No. ne sont pas fournis.

Teile ohne Parts No. werden nicht geliefert

KDC-6070R/F
(X13-9492-70)

Ref. No.	New Parts	Parts No.	Description	Destination
参照番号	新	部品番号	部品名 / 規格	仕向
KDC-6070R/RY				
201	1C	A02-1486-03	PLASTIC CABINET ASSY	
205	1F	A46-1601-01	REAR COVER	
206	1D	A52-0720-32	TOP PLATE	
PA1	3E	A64-1517-02	PANEL ASSY	
PA2	2C	A22-2305-02	SUB PANEL ASSY	
211	3C	B07-2163-02	ESCUTCHEON	
212	3E	B10-2932-01	FRONT GLASS	
-		B46-0100-50	WARRANTY CARD	E1
-		B46-0182-14	ID CARD	E1
-		B46-0606-04	ID CARD	E2
-	*	B64-1296-00	INSTRUCTION MANUAL (E,F)	E1
-	*	B64-1297-00	INSTRUCTION MANUAL (G,D,I)	E1
-	*	B64-1298-00	INSTRUCTION MANUAL (S,P)	E1
-	*	B64-1299-00	INSTRUCTION MANUAL (E,R,D)	E2
-	*	B64-1300-00	INSTRUCTION MANUAL (Z,H,C)	E2
213	1C	D10-4197-04	LEVER	
214	3C	D10-4141-04	LEVER	
215	3C	D10-4142-34	LEVER	
216	3C	D10-4143-14	LEVER	
217	2C	D10-4144-13	LEVER	
218	2C	D10-4303-03	LEVER	
219	2C	D10-4304-03	LEVER	
220	3C	D21-2272-04	SHAFT	
221	2C	D21-2273-04	SHAFT	
222	2C	D39-0230-05	DAMPER	
223	2C	D13-1352-04	GEAR	
224	2C	D21-2299-04	SHAFT	
225	3D	E29-1528-04	LEAD PLATE	
226	2F	E29-1570-02	CONDUCTIVE RUBBER	
△ DC1	1C	E30-4694-05	DC CORD	
△ FC1	2D	E39-0180-05	FLAT CABLE	
△ F1	2D	F52-0006-05	FUSE(MINI BLADE TYPE)	
227	3D	G01-2856-24	EXTENSION SPRING	
228	3F	G01-2921-04	COMPRESSION SPRING	
229	2C	G01-2923-04	TORSION COIL SPRING	
230	2C	G02-1257-04	FLAT SPRING	
231	2D	G02-1259-14	FLAT SPRING	
-		H10-4587-02	POLYSTYRENE FOAMED FIXTURE	
-		H25-0329-04	PROTECTION BAG(280X450X0.03)	E2
-		H25-0337-04	PROTECTION BAG(180X300X0.03)	
-		H25-1111-04	PROTECTION BAG(280X450X0.03)	E1
-	*	H54-1292-03	ITEM CARTON CASE	E1
-	*	H54-1293-03	ITEM CARTON CASE	E2
234	2C	J21-7817-14	MOUNTING HARDWARE ASSY	
237	1C	J21-7907-23	MOUNTING HARDWARE ASSY	
240	3F	K24-1921-04	KNOB SRC	
241	2E	K24-1922-03	KNOB VOL	
242	3F	K24-1923-04	KNOB OPEN	
243	2C	K24-1947-04	KNOB EJECT	
244	3E	K25-0960-03	KNOB 1-6	

Ref. No.	New Parts	Parts No.	Description	Destination
参照番号	新	部品番号	部品名 / 規格	仕向
245	3F	K25-0961-02	KNOB FM,AM	
246	3F	K25-0962-04	KNOB DISP	
A	3C	N24-3020-46	E TYPE RETAINING RING(27mm)	
B	2C	N29-0205-04	RETAINING RING (1.5mm)	
C	2C	N30-2003-46	PAN HEAD MACHINE SCREW	
D	2F	N80-2005-46	PAN HEAD TAPTITE SCREW	
E	1F	N83-2008-45	PAN HEAD TAPTITE SCREW	
F	1D	N83-3005-46	PAN HEAD TAPTITE SCREW	
G	3C	N84-2606-45	PAN HEAD TAPTITE SCREW	
H	2C	N84-2606-46	PAN HEAD TAPTITE SCREW	
J	2C	N19-2106-04	FLAT WASHER	
249	1C	T90-0523-05	ANTENNA ADAPTOR	
A1	3D	X86-3112-70	TUNER UNIT	
ME1	2D	X92-3370-00	MECHANISM ASSY	
SWITCH UNIT (X13-9492-70)				
360	2E	B11-0944-24	OPTICAL DIFFUSER	
361	1F	B11-0945-04	REFLECTION SHEET	
362	1E	B19-1163-03	LIGHTING BOARD	
D4	-6	B30-1542-05	LED	
D7	-22	B30-1349-05	LED	
D24		B30-1489-05	LED	
LCD1	2E	B38-1007-05	LIQUID CRYSTAL	
C1		CK73EB1C225K	CHIP C 2.2UF	K
C2		CK73FB1H221K	CHIP C 220PF	K
C3	-5	CK73FB1C224K	CHIP C 0.22UF	K
C6		CK73EB1C225K	CHIP C 2.2UF	K
C7	-9	CK73FB1C104K	CHIP C 0.10UF	K
C10		CK73FB1H103K	CHIP C 0.010UF	K
364	2E	E29-1543-04	CONDUCTIVE RUBBER	
J1		E59-0829-05	RECTANGULAR PLUG	
CP1	,2	R90-0724-05	MULTI-COMP 1K X4	
R1		RK73FB2A102J	CHIP R 1.0K	J 1/10
R2		RK73FB2A473J	CHIP R 47K	J 1/10
R3		RK73FB2A333J	CHIP R 33K	J 1/10
R4	,5	RK73FB2A101J	CHIP R 100	J 1/10
R6	-8	RK73FB2A471J	CHIP R 470	J 1/10
R9		RK73FB2A101J	CHIP R 100	J 1/10
R10		RK73FB2A102J	CHIP R 1.0K	J 1/10
R11		RK73FB2A472J	CHIP R 4.7K	J 1/10
R12	,13	RK73FB2A103J	CHIP R 10K	J 1/10
R14	-17	RK73FB2A472J	CHIP R 4.7K	J 1/10
R18	-22	RK73EB2B331J	CHIP R 330	J 1/8W
R24		RK73EB2B301J	CHIP R 300	J 1/8W
R25	,26	RK73EB2B102J	CHIP R 1.0K	J 1/8W
R27		RK73EB2B271J	CHIP R 270	J 1/8W
R28		RK73FB2A751J	CHIP R 750	J 1/10
R29		RK73EB2B4R7J	CHIP R 4.7	J 1/8W
D25		MA3091-M	ZENER DIODE	
IC1		LC75817W	MOS-IC	
IC2		RS-171	ANALOGUE IC	
Q1	,2	DTA124EK	DIGITAL TRANSISTOR	

E1 : KDC-6070R
E2 : KDC-6070RY

△ indicates safety critical components.

PARTS LIST

* New Parts

Parts without Parts No. are not supplied.

Les articles non mentionnés le Parts No. ne sont pas fournis.

Teile ohne Parts No. werden nicht geliefert

(X13-9492-70)

(X25-8302-70)

Ref. No. 参照番号	New Parts 新	Parts No. 部品番号	Description 部品名 / 規格	Desti- nation 仕 向
Q1 ,2 Q3 Q3 Q4 ,5 Q6		UN2112 2SC2412K 2SD601A 2SD2114K 2SC2412K	DIGITAL TRANSISTOR TRANSISTOR TRANSISTOR TRANSISTOR TRANSISTOR	
Q6		2SD601A	TRANSISTOR	
ELECTRIC UNIT (X25-8302-70)				
D22		B30-1424-05	LED	
C1		C90-5236-05	ALMINIUM ELECTROLYTIC C.	
C2		CK73FB1H103K	CHIP C 0.010UF K	
C3		C90-2926-05	ELECTRO 220UF 16WV	
C4		CK73FB1H103K	CHIP C 0.010UF K	
C5		C90-2594-05	ELECTRO 10UF 10WV	
C6		CE04CW0J101M	ELECTRO 100UF 6.3WV	
C7		CE04CW1A330M	ELECTRO 33UF 10WV	
C8		CE04CW1C101M	ELECTRO 100UF 16WV	
C9		CK73FB1H103K	CHIP C 0.010UF K	
C10 ,11		CE04CW1A101M	ELECTRO 100UF 10WV	
C20		CK73FB1H103K	CHIP C 0.010UF K	
C21		CK73FB1H223KTA	CHIP C 0.022UF K	
C22		C90-2608-05	ELECTRO 1.0UF 50WV	
C23		C90-2598-05	ELECTRO 3.3UF 25WV	
C24		CK73FB1E683KTA	CHIP C 0.068UF K	
C25		C90-2602-05	ELECTRO 0.10UF 50WV	
C26 ,27		CK73FB1H103K	CHIP C 0.010UF K	
C40		CE04CW0J101M	ELECTRO 100UF 6.3WV	
C41 -43		CK73FB1H103K	CHIP C 0.010UF K	
C44 ,45		CC73FCH1H220J	CHIP C 22PF J	
C46		C90-2608-05	ELECTRO 1.0UF 50WV	
C48		CK73FB1H472K	CHIP C 4700PF K	
C49		CK73EB1E274K	CHIP C 0.27UF K	
C50 ,51		CK73FB1H103K	CHIP C 0.010UF K	
C52		C90-2595-05	ELECTRO 4.7UF 16WV	
C53 ,54		C90-2610-05	ELECTRO 2.2UF 50WV	
C55 ,56		C90-2608-05	ELECTRO 1.0UF 50WV	
C57		CE04CW0J101M	ELECTRO 100UF 6.3WV	
C58		CK73FB1H153KTA	CHIP C 0.015UF K	
C59		CK73EB1C105K	CHIP C 1.0UF K	
C61		CK73FB1C823K	CHIP C 0.082UF K	
C62		CE04CW1A101M	ELECTRO 100UF 10WV	
C63		CK73FB1H103K	CHIP C 0.010UF K	
C111-114		C90-2597-05	ELECTRO 10UF 16WV	
C131-134		CK73FB1C124K	CHIP C 0.12UF K	
C139		CE04CW1A101M	ELECTRO 100UF 10WV	
C140		C90-2598-05	ELECTRO 3.3UF 25WV	
C141		C90-2934-05	ELECTRO 0.47UF 50WV	
C142		C90-2597-05	ELECTRO 10UF 16WV	
C160		CK73EB1H104K	CHIP C 0.10UF K	
C161		CK73FB1H103K	CHIP C 0.010UF K	
C162		CK73EB1H473K	CHIP C 0.047UF K	
C163		CK73FB1H103K	CHIP C 0.010UF K	
C171		CK73FB1H103K	CHIP C 0.010UF K	
C173		CK73FB1H103K	CHIP C 0.010UF K	

Ref. No. 参照番号	New Parts 新	Parts No. 部品番号	Description 部品名 / 規格	Desti- nation 仕 向
C174		CE04CW1A101M	ELECTRO 100UF 10WV	
C175		CK73FB1H103K	CHIP C 0.010UF K	
C176		CE04DW1A470M	ELECTRO 47UF 10WV	
C177		CK73FB1H103K	CHIP C 0.010UF K	
C178		CC73FCH1H121J	CHIP C 120PF J	
C179		CK73FB1E273KTA	CHIP C 0.027UF K	
C180		CK73FB1C104K	CHIP C 0.10UF K	
C190		CK73FB1H223KTA	CHIP C 0.022UF K	
C191		CC73FCH1H060D	CHIP C 6.0PF D	
C192		CK73FB1H102K	CHIP C 1000PF K	
C193		CK73FB1H222K	CHIP C 2200PF K	
C194		CC73FCH1H820J	CHIP C 82PF J	
C195		CE04DW1C100M	ELECTRO 10UF 16WV	
C196		CK73FB1H471K	CHIP C 470PF K	
C197		CK73FB1H822K	CHIP C 8200PF K	
C198		CC73FCH1H120J	CHIP C 12PF J	
C199		CC73FCH1H121J	CHIP C 120PF J	
C200		CK73FB1H122K	CHIP C 1200PF K	
C201		CK73FB1H471K	CHIP C 470PF K	
C202		CK73FB1H122K	CHIP C 1200PF K	
C210		C90-2592-05	ELECTRO 10UF 6.3WV	
C211		CK73FB1H103K	CHIP C 0.010UF K	
C212		CC73FCH1H271J	CHIP C 270PF J	
C213		C90-2592-05	ELECTRO 10UF 6.3WV	
C214, 215		CC73FCH1H100D	CHIP C 10PF D	
CN1		E40-9550-05	FLAT CABLE CONNECTOR	
CN2		E40-9595-05	PIN ASSY	
J1		E58-0836-05	RECTANGULAR RECEPTACLE	
J2		E63-0853-05	PHONE JACK	
J3		E56-0809-05	CYLINDRICAL RECEPTACLE	
WH1		E30-4440-05	CORD WITH PLUG	
WH1		E30-4568-15	CORD WITH PLUG	
L1		L40-4791-17	SMALL FIXED INDUCTOR(4.7UH,K)	
L3		L33-1039-05	LINE FILTER COIL	
L4 -9		L40-4791-17	SMALL FIXED INDUCTOR(4.7UH,K)	
L10		L40-4795-34	SMALL FIXED INDUCTOR	
X1		L78-0574-05	RESONATOR	
X2		L78-0533-05	RESONATOR (32.768KHZ)	
X3		L77-2002-05	CRYSTAL RESONATOR	
K 1D		N64-3010-46	PAN HEAD SEMS SCREW	
L 1D		N80-3008-46	PAN HEAD TAPTITE SCREW	
M 1D		N83-3020-46	PAN HEAD TAPTITE SCREW	
N 3D		N86-2606-46	BINDING HEAD TAPTITE SCREW	
CP1		R90-1013-05	MULTIPLE RESISTOR	
CP2 ,3		R90-0725-05	MULTI-COMP 1K X2	
CP4		R90-0722-05	MULTI-COMP 2.2K X4	
CP5		R90-0725-05	MULTI-COMP 1K X2	
CP7		R90-1022-05	MULTIPLE RESISTOR	
R1		RK73FB2A223J	CHIP R 22K J 1/10W	
R2		RK73FB2A101J	CHIP R 100 J 1/10W	
R4		RK73FB2A102J	CHIP R 1.0K J 1/10W	
R5		R92-2104-05	CHIP R 2.2 J 1W	
R6		RK73FB2A103J	CHIP R 10K J 1/10W	

E1 : KDC-6070R
E2 : KDC-6070RY

△ indicates safety critical components.

PARTS LIST

* New Parts

Parts without Parts No. are not supplied.

Les articles non mentionnés le Parts No. ne sont pas fournis.

Teile ohne Parts No. werden nicht geliefert

(X25-8302-70)

Ref. No. 参照番号	New Parts 新	Parts No. 部品番号	Description 部品名 / 規格	Destination 仕向
R7		RK73FB2A102J	CHIP R 1.0K J 1/10W	
R8		RK73FB2A101J	CHIP R 100 J 1/10W	
R9		RK73FB2A152J	CHIP R 1.5K J 1/10W	
R10		RK73FB2A102J	CHIP R 1.0K J 1/10W	
R24		RK73EB2B752J	CHIP R 7.5K J 1/8W	
R25		RK73FB2A223J	CHIP R 22K J 1/10W	
R26		RK73FB2A473J	CHIP R 47K J 1/10W	
R27		RK73FB2A102J	CHIP R 1.0K J 1/10W	
R28		RK73EB2B103J	CHIP R 10K J 1/8W	
R32		RK73EB2B472J	CHIP R 4.7K J 1/8W	
R33		RD14DB2H102J	SMALL-RD 1.0K J 1/2W	
R34		RK73FB2A223J	CHIP R 22K J 1/10W	
R35		RD14DB2H102J	SMALL-RD 1.0K J 1/2W	
R36		RK73FB2A123J	CHIP R 12K J 1/10W	
R37		RK73FB2A153J	CHIP R 15K J 1/10W	
R38		RK73FB2A512J	CHIP R 5.1K J 1/10W	
R39		RK73FB2A104J	CHIP R 100K J 1/10W	
R40		RD14DB2H332J	SMALL-RD 3.3K J 1/2W	
R42		RK73FB2A104J	CHIP R 100K J 1/10W	
R43		RK73FB2A562J	CHIP R 5.6K J 1/10W	
R44		RK73FB2A473J	CHIP R 47K J 1/10W	
R45		RK73FB2A562J	CHIP R 5.6K J 1/10W	
R50		RK73FB2A470J	CHIP R 47 J 1/10W	
R52		RK73FB2A684J	CHIP R 680K J 1/10W	
R53		RK73FB2A473J	CHIP R 47K J 1/10W	
R56		RK73FB2A101J	CHIP R 100 J 1/10W	
R57		RK73FB2A102J	CHIP R 1.0K J 1/10W	
R60		RK73FB2A104J	CHIP R 100K J 1/10W	
R63		RK73FB2A222J	CHIP R 2.2K J 1/10W	
R65		RK73FB2A223J	CHIP R 22K J 1/10W	
R66		RK73FB2A164J	CHIP R 160K J 1/10W	
R67		RK73FB2A394J	CHIP R 390K J 1/10W	
R68		RK73FB2A2R2J	CHIP R 2.2 J 1/10W	
R69		RK73FB2A102J	CHIP R 1.0K J 1/10W	
R72		RK73FB2A101J	CHIP R 100 J 1/10W	
R73, 74		RK73FB2A470J	CHIP R 47 J 1/10W	
R75		RK73FB2A101J	CHIP R 100 J 1/10W	
R76		RK73FB2A104J	CHIP R 100K J 1/10W	
R78		RK73FB2A102J	CHIP R 1.0K J 1/10W	
R80		RK73FB2A154J	CHIP R 150K J 1/10W	
R85, 86		RK73FB2A222J	CHIP R 2.2K J 1/10W	
R89		RK73FB2A222J	CHIP R 2.2K J 1/10W	
R91		RK73EB2B241J	CHIP R 240 J 1/8W	
R97, 98		RK73FB2A222J	CHIP R 2.2K J 1/10W	
R102-104		RK73FB2A473J	CHIP R 47K J 1/10W	
R106		RK73FB2A223J	CHIP R 22K J 1/10W	
R107		RK73FB2A222J	CHIP R 2.2K J 1/10W	
R108		RK73FB2A225J	CHIP R 2.2M J 1/10W	
R109		RK73FB2A102J	CHIP R 1.0K J 1/10W	
R110		RK73FB2A562J	CHIP R 5.6K J 1/10W	
R111		RK73FB2A102J	CHIP R 1.0K J 1/10W	
R112		RK73FB2A562J	CHIP R 5.6K J 1/10W	
R113		RK73FB2A222J	CHIP R 2.2K J 1/10W	
R114, 115		RK73FB2A473J	CHIP R 47K J 1/10W	
R116, 117		RK73FB2A104J	CHIP R 100K J 1/10W	

Ref. No. 参照番号	New Parts 新	Parts No. 部品番号	Description 部品名 / 規格	Destination 仕向
R118		RK73FB2A473J	CHIP R 47K J 1/10W	
R120		RK73FB2A473J	CHIP R 47K J 1/10W	
R122		RK73FB2A222J	CHIP R 2.2K J 1/10W	
R125		RK73FB2A101J	CHIP R 100 J 1/10W	
R126		RK73FB2A332J	CHIP R 3.3K J 1/10W	
R159-162		RK73FB2A361J	CHIP R 360 J 1/10W	
R163-166		RK73FB2A472J	CHIP R 4.7K J 1/10W	
R167-170		RK73FB2A223J	CHIP R 22K J 1/10W	
R187-190		RK73EB2B181J	CHIP R 180 J 1/8W	
R191-194		RK73FB2A472J	CHIP R 4.7K J 1/10W	
R195		RK73FB2A101J	CHIP R 100 J 1/10W	
R196		RK73FB2A751J	CHIP R 750 J 1/10W	
R197		RK73FB2A431J	CHIP R 430 J 1/10W	
R198		RK73FB2A473J	CHIP R 47K J 1/10W	
R199		RK73FB2A101J	CHIP R 100 J 1/10W	
R207		RK73FB2A103J	CHIP R 10K J 1/10W	
R210-212		RK73FB2A104J	CHIP R 100K J 1/10W	
R213-215		RK73FB2A222J	CHIP R 2.2K J 1/10W	
R216		RK73FB2A473J	CHIP R 47K J 1/10W	
R217		RK73FB2A103J	CHIP R 10K J 1/10W	
R227		RK73EB2B470J	CHIP R 47 J 1/8W	
R228		RK73EB2B102J	CHIP R 1.0K J 1/8W	
R229		RK73EB2B222J	CHIP R 2.2K J 1/8W	
R230		RK73EB2B4R7J	CHIP R 4.7 J 1/8W	
R231		RK73EB2B472J	CHIP R 4.7K J 1/8W	
R232		RK73EB2B100J	CHIP R 10 J 1/8W	
R233, 234		RK73EB2B222J	CHIP R 2.2K J 1/8W	
R235		RK73EB2B470J	CHIP R 47 J 1/8W	
R236		RK73EB2B100J	CHIP R 10 J 1/8W	
R237		RK73EB2B470J	CHIP R 47 J 1/8W	
R238-241		RK73FB2A104J	CHIP R 100K J 1/10W	
R250		RK73FB2A223J	CHIP R 22K J 1/10W	
R251		RK73EB2B102J	CHIP R 1.0K J 1/8W	
R252		RK73FB2A223J	CHIP R 22K J 1/10W	
R253		RK73EB2B102J	CHIP R 1.0K J 1/8W	
R254		RK73FB2A102J	CHIP R 1.0K J 1/10W	
R256		RK73FB2A472J	CHIP R 4.7K J 1/10W	
R257		RK73FB2A272J	CHIP R 2.7K J 1/10W	
R258		RK73FB2A472J	CHIP R 4.7K J 1/10W	
R270		RK73FB2A823J	CHIP R 82K J 1/10W	
R271		RK73FB2A103J	CHIP R 10K J 1/10W	
R272		RK73FB2A104J	CHIP R 100K J 1/10W	
R273, 274		RK73FB2A103J	CHIP R 10K J 1/10W	
R275		RK73FB2A153J	CHIP R 15K J 1/10W	
R276, 277		RK73FB2A103J	CHIP R 10K J 1/10W	
R278		RK73FB2A562J	CHIP R 5.6K J 1/10W	
R280		RK73FB2A563J	CHIP R 56K J 1/10W	
R281		RK73FB2A272J	CHIP R 2.7K J 1/10W	
R282, 283		RK73FB2A103J	CHIP R 10K J 1/10W	
R284		RK73FB2A562J	CHIP R 5.6K J 1/10W	
R286		RK73FB2A222J	CHIP R 2.2K J 1/10W	
R290-292		RK73FB2A222J	CHIP R 2.2K J 1/10W	
W2 -11		R92-2052-05	CHIP R 0 J 1/10W	
W15		R92-2052-05	CHIP R 0 J 1/10W	

E1 : KDC-6070R
E2 : KDC-6070RV

▲ indicates safety critical components.

PARTS LIST

* New Parts

Parts without Parts No. are not supplied.

Les articles non mentionnés le Parts No. ne sont pas fournis.

Teile ohne Parts No. werden nicht geliefert

(X25-8302-70)

(X32-4440-00)

Ref. No. 参照番号	New Parts 新	Parts No. 部品番号	Description 部品名 / 規格	Desti- nation 仕 向
S1		S74-0808-05	MICRO SWITCH	
D1		RM10ZLF	DIODE	
D2		AM01Z	DIODE	
D2		ERA15-01	DIODE	
D3		MA4056(N)-M	ZENER DIODE	
D4		MA4082(N)-L	ZENER DIODE	
D5		MA4110-L	ZENER DIODE	
D8		HZM4.7N(B2)	ZENER DIODE	
D8		MA3047-M	ZENER DIODE	
D10		AM01Z	DIODE	
D10		ERA15-01	DIODE	
D11		1SS133	DIODE	
D12 ,13		MA4056(N)-M	ZENER DIODE	
D14		MA4068(N)-M	ZENER DIODE	
D15		DAN202K	DIODE	
D15		MA152WK	DIODE	
D16		DA204K	DIODE	
D17		D1F60	DIODE	
D30 -32		RD6.8MW	ZENER DIODE	
D34 ,35		DA204K	DIODE	
D36		MA3062WA	ZENER DIODE	
D36		UZMA6.2F	ZENER DIODE	
D37		DAN202K	DIODE	
D37		MA152WK	DIODE	
D50 ,51		D1CA60R	DIODE	
D52 ,53		DAP202K	DIODE	
D52 ,53		MA152WA	DIODE	
D56 -59		DAN202K	DIODE	
D56 -59		MA152WK	DIODE	
D60		DA204K	DIODE	
D61 -64		DAP202K	DIODE	
D61 -64		MA152WA	DIODE	
D65		DSP-301N-A21F	SURGE ABSORBER	
D68 ,69		MA3062WA	ZENER DIODE	
D68 ,69		UZMA6.2F	ZENER DIODE	
D70		DAN202K	DIODE	
D70		MA152WK	DIODE	
IC1		UPD784215GF535	MI-COM IC	
IC2		TDA7461D	ANALOGUE IC	
IC3		BR24C01AF	MEMORY IC	
IC4		TDA7386	ANALOGUE IC	
IC7		PST9130NR	ANALOGUE IC	
IC8		TC74HC02AF	IC	
IC13		NJM4565M-TE2	ANALOGUE IC	
IC14		TDA7479D	ANALOGUE IC	
Q1		2SC2412K	TRANSISTOR	
Q1		2SD601A	TRANSISTOR	
Q2		2SB1565F(E,F)	TRANSISTOR	
Q3		DTC144EK	DIGITAL TRANSISTOR	
Q3		UN2213	DIGITAL TRANSISTOR	
Q4		DTA124EK	DIGITAL TRANSISTOR	
Q4		UN2112	DIGITAL TRANSISTOR	
Q5		2SB1184	TRANSISTOR	
Q6		2SD2396F40	TRANSISTOR	

Ref. No. 参照番号	New Parts 新	Parts No. 部品番号	Description 部品名 / 規格	Desti- nation 仕 向
Q7		DTC144EK	DIGITAL TRANSISTOR	
Q7		UN2213	DIGITAL TRANSISTOR	
Q8		DTA124EK	DIGITAL TRANSISTOR	
Q8		UN2112	DIGITAL TRANSISTOR	
Q9		2SC2412K	TRANSISTOR	
Q9		2SD601A	TRANSISTOR	
Q10		2SB1184	TRANSISTOR	
Q19		2SA1036K	TRANSISTOR	
Q20		DTC144EK	DIGITAL TRANSISTOR	
Q20		UN2213	DIGITAL TRANSISTOR	
Q23		2SB1277(Q,R)	TRANSISTOR	
Q24		2SA1037K	TRANSISTOR	
Q24		2SB709A	TRANSISTOR	
Q25		DTA124EK	DIGITAL TRANSISTOR	
Q25		UN2112	DIGITAL TRANSISTOR	
Q26		DTC114YK	DIGITAL TRANSISTOR	
Q26		UN2214	DIGITAL TRANSISTOR	
Q27 -29		2SC2412K	TRANSISTOR	
Q27 -29		2SD601A	TRANSISTOR	
Q31 ,32		2SC2412K	TRANSISTOR	
Q31 ,32		2SD601A	TRANSISTOR	
Q40		DTA124EK	DIGITAL TRANSISTOR	
Q40		UN2112	DIGITAL TRANSISTOR	
Q41		DTC144EK	DIGITAL TRANSISTOR	
Q41		UN2213	DIGITAL TRANSISTOR	
Q53 -56		2SC2412K	TRANSISTOR	
Q53 -56		2SD601A	TRANSISTOR	
Q57		DTC144EK	DIGITAL TRANSISTOR	
Q57		UN2213	DIGITAL TRANSISTOR	
Q60		2SA1037K	TRANSISTOR	
Q60		2SB709A	TRANSISTOR	
Q61		DTA124EK	DIGITAL TRANSISTOR	
Q61		UN2112	DIGITAL TRANSISTOR	
Q70		DTC124EK	DIGITAL TRANSISTOR	
Q70		UN2212	DIGITAL TRANSISTOR	
Q71		2SB1277(Q,R)	TRANSISTOR	
Q72		DTC124EK	DIGITAL TRANSISTOR	
Q72		UN2212	DIGITAL TRANSISTOR	
Q73		2SB1277(Q,R)	TRANSISTOR	
Q74		DTC124EK	DIGITAL TRANSISTOR	
Q74		UN2212	DIGITAL TRANSISTOR	
Q80		2SC2412K	TRANSISTOR	
Q80		2SD601A	TRANSISTOR	
Q81		DTC114TK	DIGITAL TRANSISTOR	
Q81		UN2215	DIGITAL TRANSISTOR	
Q82		DTA124EK	DIGITAL TRANSISTOR	
Q82		UN2112	DIGITAL TRANSISTOR	
TH1		PT722A80C	POSITIVE RESISTOR	
CD PLAYER UNIT (X32-4440-00) (X32-4570-00)				
C1 ,2		CK73FB1A105K	CHIP C	1.0UF K
C3		C92-1359-05	CHIP-TAN	10UF 16WV
C4		C92-0566-05	CHIP-TAN	10UF 6.3WV
C5		CC73FCH1H220J	CHIP C	22PF J
C6		CC73FCH1H020C	CHIP C	2.0PF C

KDC-6070R/RV

PARTS LIST

* New Parts

Parts without Parts No. are not supplied.

Les articles non mentionnés le Parts No. ne sont pas fournis.

Teile ohne Parts No. werden nicht geliefert

(X32-4440-00)

Ref. No. 参照番号	New Parts 新	Parts No. 部品番号	Description 部品名 / 規格	Desti- nation 仕 向
C7		CK73FB1C104K	CHIP C 0.10UF	K
C8		CK73FB1A105K	CHIP C 1.0UF	K
C9		CC73FCH1H101J	CHIP C 100PF	J
C10		CK73FB1H472K	CHIP C 4700PF	K
C11		CK73FB1H682K	CHIP C 6800PF	K
C12		CK73FB1H222K	CHIP C 2200PF	K
C13		CK73FB1H273K	CHIP C 0.027UF	K
C14		CK73FB1H472K	CHIP C 4700PF	K
C15		CK73FB1E473KTA	CHIP C 0.047UF	K
C16		CC73FCH1H101J	CHIP C 100PF	J
C17		CK73FB1H222K	CHIP C 2200PF	K
C18		CC73FCH1H391J	CHIP C 390PF	J
C19	,20	CK73FB1C104K	CHIP C 0.10UF	K
C21		C92-1359-05	CHIP-TAN 10UF	16WV
C22		CK73FB1C104K	CHIP C 0.10UF	K
C23		CK73FB1H102K	CHIP C 1000PF	K
C24		CK73FB1H223KTA	CHIP C 0.022UF	K
C25		CK73FB1H123K	CHIP C 0.012UF	K
C26		CK73FB1C334K	CHIP C 0.33UF	K
C27		CC73FCH1H101J	CHIP C 100PF	J
C28		CK73FB1A105K	CHIP C 1.0UF	K
C30		C92-1324-05	CHIP-TAN 4.7UF	16WV
C31	,32	CK73FB1H103K	CHIP C 0.010UF	K
C33		CK73FB1E473KTA	CHIP C 0.047UF	K
C34		CK73FB1C104K	CHIP C 0.10UF	K
C40		CK73FB1E473KTA	CHIP C 0.047UF	K
C41		CK73EB1C225K	CHIP C 2.2UF	K
C43		CK73FB1H123K	CHIP C 0.012UF	K
C44		CK73FB1C104K	CHIP C 0.10UF	K
C45	,46	CK73FB1H223KTA	CHIP C 0.022UF	K
C47		CK73FB1E473KTA	CHIP C 0.047UF	K
C51		CK73FB1A105K	CHIP C 1.0UF	K
C52		CK73FB1C104K	CHIP C 0.10UF	K
C53		C92-1359-05	CHIP-TAN 10UF	16WV
C54		CK73FB1C104K	CHIP C 0.10UF	K
C55	,56	CK73FB1A105K	CHIP C 1.0UF	K
C61	,62	CC73FCH1H471J	CHIP C 470PF	J
C63	,64	CC73FCH1H680J	CHIP C 68PF	J
C65	,66	CK73FB1H222K	CHIP C 2200PF	K
C101		CC73FCH1H221J	CHIP C 220PF	J
C102		CK73FB1C104K	CHIP C 0.10UF	K
C104		CC73FCH1H471J	CHIP C 470PF	J
CN1		E40-9536-05	FLAT CABLE CONNECTOR	
CN2		E40-9339-05	FLAT CABLE CONNECTOR	
L1		L40-1001-78	SMALL FIXED INDUCTOR(10UH)	
L2		L92-0308-05	FERRITE CORE	
X1		L78-0572-05	RESONATOR (16.93MHZ)	
X2		L78-0571-05	RESONATOR	
CP1	,2	R90-0720-05	MULTI-COMP 100K X4	
CP3	-5	R90-1014-05	MULTI-COMP 100 X4	
CP6		R90-1019-05	MULTI-COMP 100 X2	
CP7		R90-0718-05	MULTI-COMP 4.7K X4	
R1		RK73FB2A243J	CHIP R 24K	J 1/10W

Ref. No. 参照番号	New Parts 新	Parts No. 部品番号	Description 部品名 / 規格	Desti- nation 仕 向
R2		RK73FB2A183J	CHIP R 18K	J 1/10W
R3		RK73FB2A154J	CHIP R 150K	J 1/10W
R4		RK73FB2A155J	CHIP R 1.5M	J 1/10W
R5		RK73FB2A910J	CHIP R 91	J 1/10W
R6		RK73FB2A154J	CHIP R 150K	J 1/10W
R7		RK73FB2A155J	CHIP R 1.5M	J 1/10W
R8		RK73EB2B4R7J	CHIP R 4.7	J 1/8W
R9		RK73EB2B100J	CHIP R 10	J 1/8W
R10	,11	RK73FB2A912J	CHIP R 9.1K	J 1/10W
R12		RK73FB2A562J	CHIP R 5.6K	J 1/10W
R13		RK73FB2A683J	CHIP R 68K	J 1/10W
R14	,15	RK73FB2A824J	CHIP R 820K	J 1/10W
R16		RK73FB2A223J	CHIP R 22K	J 1/10W
R17		RK73FB2A393J	CHIP R 39K	J 1/10W
R18		RK73FB2A392J	CHIP R 3.9K	J 1/10W
R19		RK73FB2A333J	CHIP R 33K	J 1/10W
R20		RK73FB2A104J	CHIP R 100K	J 1/10W
R21		RK73FB2A224J	CHIP R 220K	J 1/10W
R22	-24	RK73FB2A101J	CHIP R 100	J 1/10W
R31		RK73FB2A102J	CHIP R 1.0K	J 1/10W
R32		RK73FB2A104J	CHIP R 100K	J 1/10W
R33		RK73FB2A155J	CHIP R 1.5M	J 1/10W
R34		RK73FB2A333J	CHIP R 33K	J 1/10W
R35		RK73FB2A104J	CHIP R 100K	J 1/10W
R36		RK73FB2A151J	CHIP R 150	J 1/10W
R37		RK73FB2A471J	CHIP R 470	J 1/10W
R38		RK73FB2A224J	CHIP R 220K	J 1/10W
R39		RK73FB2A102J	CHIP R 1.0K	J 1/10W
R42		RK73FB2A104J	CHIP R 100K	J 1/10W
R44		RK73FB2A512J	CHIP R 5.1K	J 1/10W
R45		RK73FB2A103J	CHIP R 10K	J 1/10W
R46		RK73FB2A102J	CHIP R 1.0K	J 1/10W
R47		RK73FB2A103J	CHIP R 10K	J 1/10W
R49		RK73FB2A472J	CHIP R 4.7K	J 1/10W
R50		RK73FB2A102J	CHIP R 1.0K	J 1/10W
R52		RK73FB2A104J	CHIP R 100K	J 1/10W
R54		RK73FB2A104J	CHIP R 100K	J 1/10W
R56		RK73FB2A104J	CHIP R 100K	J 1/10W
R61		RK73FB2A101J	CHIP R 100	J 1/10W
R68		RK73FB2A104J	CHIP R 100K	J 1/10W
R71		RK73FB2A752J	CHIP R 7.5K	J 1/10W
R72		RK73FB2A102J	CHIP R 1.0K	J 1/10W
R73		RK73FB2A333J	CHIP R 33K	J 1/10W
R74		RK73FB2A822J	CHIP R 8.2K	J 1/10W
R75		RK73FB2A273J	CHIP R 27K	J 1/10W
R76		RK73FB2A512J	CHIP R 5.1K	J 1/10W
R77		RK73FB2A393J	CHIP R 39K	J 1/10W
R78		RK73FB2A153J	CHIP R 15K	J 1/10W
R79		RK73FB2A202J	CHIP R 2.0K	J 1/10W
R80		RK73FB2A162J	CHIP R 1.6K	J 1/10W
R81		RK73FB2A273J	CHIP R 27K	J 1/10W
R82		RK73FB2A562J	CHIP R 5.6K	J 1/10W
R83		RK73FB2A561J	CHIP R 560	J 1/10W
R91	,92	RK73FB2A332J	CHIP R 3.3K	J 1/10W
R93	,94	RK73FB2A562J	CHIP R 5.6K	J 1/10W

E1 : KDC-6070R
E2 : KDC-6070RV

△ indicates safety critical components.

PARTS LIST

* New Parts

Parts without Parts No. are not supplied.

Les articles non mentionnés le Parts No. ne sont pas fournis.

Teile ohne Parts No. werden nicht geliefert

(X32-4440-00)


(X89-2362-70)

(X92-3370-00)

Ref. No. 参照番号	New Parts 新	Parts No. 部品番号	Description 部品名 / 規格	Desti- nation 仕 向
R101-106		RK73FB2A203J	CHIP R 20K J 1/10W	
R107,108		RK73FB2A681J	CHIP R 680 J 1/10W	
R202		RK73FB2A392J	CHIP R 3.9K J 1/10W	
R203,204		RK73FB2A204J	CHIP R 200K J 1/10W	
R205		RK73FB2A331J	CHIP R 330 J 1/10W	
R209		RK73FB2A105J	CHIP R 1.0M J 1/10W	
R210		RK73FB2A225J	CHIP R 2.2M J 1/10W	
R211		RK73FB2A103J	CHIP R 10K J 1/10W	
S1 ,2		S68-0822-05	PUSH SWITCH	
S3		S68-0823-05	PUSH SWITCH	
D1 ,2		DAN202U	DIODE	
IC1		AN8806SB	ANALOGUE IC	
IC2		MN662748RPM	MOS-IC	
IC3		M38027M8D196FP	MI-COM IC	
IC4		BA6790FP	ANALOGUE IC	
IC5		TA78L05F	IC(VOLTAGE REGULATOR/ +5V)	
IC6		NJM4565MD	IC(OP AMP X2)	
IC8		LC3564BT-70	MEMORY IC	
IC9		TC7SH32F	MOS-IC	
Q1		2SA1362(Y)	TRANSISTOR	
Q2		DTC124EUA	DIGITAL TRANSISTOR	
Q3 ,4		2SA1362(Y)	TRANSISTOR	
Q5		DTC124EUA	DIGITAL TRANSISTOR	
Q6		2SA1576A	TRANSISTOR	
Q10		DTC124EUA	DIGITAL TRANSISTOR	
Q13 ,14		DTC124EUA	DIGITAL TRANSISTOR	
DAUGHTER UNIT (X89-2362-70)				
CN1		E40-9596-05	SOCKET FOR PIN ASSY	
J1		E58-0865-05	RECTANGULAR RECEPTACLE	
R1		RK73EB2B102J	CHIP R 1.0K J 1/8W	
R2		RK73EB2B241J	CHIP R 240 J 1/8W	
R3		RK73EB2B102J	CHIP R 1.0K J 1/8W	
R4		RK73EB2B222J	CHIP R 2.2K J 1/8W	
R5 -8		RK73EB2B102J	CHIP R 1.0K J 1/8W	
R9		RK73EB2B471J	CHIP R 470 J 1/8W	
R10		RK73EB2B102J	CHIP R 1.0K J 1/8W	
S1		S70-0841-05	TACT SWITCH	
MECHANISM ASSY (X92-3370-00)				
401 2A		A10-4224-41	CHASSIS	
402 1B		A10-4225-33	CHASSIS CALKING ASSY	
403 2B		A11-0915-23	SUB CHASSIS CALKING ASSY	
405A 2A		D10-4038-23	ARM ASSY	
406 2A		D10-3083-44	ARM ASSY	
407 2A		D10-3084-44	ARM ASSY	
408 3A		D10-3087-44	ARM ASSY	
409 3B		D10-3092-03	SLIDER	
410 3B		D10-3093-04	SLIDER ASSY	
411 2B		D10-3095-04	SLIDER ASSY	
412 2B		D10-3096-04	SLIDER ASSY	
413 1A		D10-3099-24	SLIDER ASSY	
414 1A		D10-3100-04	SLIDER ASSY	

Ref. No. 参照番号	New Parts 新	Parts No. 部品番号	Description 部品名 / 規格	Desti- nation 仕 向
415 2A		D10-4123-14	LEVER ASSY	
416 1B		D10-4004-04	LEVER ASSY	
417 1B		D10-4006-04	LEVER	
418 1A		D10-4007-04	LEVER	
419 2B		D10-4008-04	LEVER	
420 2A		D10-4009-23	ARM	
421 3A		D10-4010-04	LEVER	
422 3A		D10-4011-34	LEVER ASSY	
423 3A		D10-4013-14	ARM ASSY	
424 3B		D10-4050-04	ARM	
427 3B		D13-1340-13	RACK (GEAR)	
429 3B		D13-1231-04	GEAR	
430 3A		D13-1232-04	GEAR	
431 3B		D13-1233-04	GEAR	
432 3B		D13-1234-14	GEAR ASSY	
433 3A		D13-1238-03	GEAR	
434 3B		D13-1240-04	GEAR	
435 3B		D13-1241-04	GEAR	
436 3B		D13-1242-04	GEAR	
437 1B		D13-1243-04	GEAR	
438 1B		D13-1244-04	GEAR	
439 1B		D13-1245-14	GEAR	
440 2A		D13-1246-04	GEAR	
441 2B		D13-1247-04	GEAR	
443 2B		D13-1249-04	GEAR ASSY	
445 1B		D14-0668-04	ROLLER	
446 2A		D14-0670-04	ROLLER	
447 3B		D14-0674-04	ROLLER	
448 2B		D13-1341-04	GEAR ASSY	
449 3A		D21-2228-04	SHAFT	
450 1A		D21-2229-04	SHAFT	
451 1A		D23-0925-24	RETAINER	
452 2A		D32-0614-04	STOPPER	
453 1B		D39-0223-05	DAMPER	
454 2B		D39-0224-05	DAMPER	
455 3B		F09-1246-04	SHEET	
458 3B		F09-1266-14	SHEET	
460 2A		G01-2770-04	EXTENSION SPRING	
461 3A		G01-2771-04	EXTENSION SPRING	
462 3A		G01-2772-24	EXTENSION SPRING	
463 3A		G01-2773-14	EXTENSION SPRING	
464 3A		G01-2774-34	EXTENSION SPRING	
465 1B		G01-2775-04	TORSION COIL SPRING	
466 1B		G01-2776-14	TORSION COIL SPRING	
467 3B		G01-2777-14	TORSION COIL SPRING	
469 2A		G01-2844-04	EXTENSION SPRING	
470 2A		G02-1231-04	FLAT SPRING	
471 2B		G02-1232-14	FLAT SPRING	
472 2A		G02-1241-24	FLAT SPRING	
475 2A		J11-0613-13	CLAMPER	
476 3A		J19-4678-13	HOLDER	
477 2B		J19-4679-24	HOLDER	
478 3B		J21-7684-13	MOUNTING HARDWARE	
479 2B		J21-7686-13	MOUNTING HARDWARE	

E1 : KDC-6070R
E2 : KDC-6070RY

 indicates safety critical components.

KDC-6070R/RV

PARTS LIST

* New Parts

Parts without Parts No. are not supplied.

Les articles non mentionnes le Parts No. ne sont pas fournis.

Teile ohne Parts No. werden nicht geliefert

(X92-3370-00)

Ref. No. 参照番号	New Parts 新	Parts No. 部品番号	Description 部品名 / 規格	Desti- nation 仕 向
480	1B	J21-7690-03	MOUNTING HARDWARE	
481	3A	J31-1032-04	COLLAR	
482	3A	J84-0060-15	FLEXIBLE PRINTED WIRING BOARD	
483	1A	J90-0757-22	GUIDE	
A	2A	N09-4249-05	MACHINE SCREW (M1.7X2.5, LOCK)	
B	1B	N09-4172-05	TAPPING SCREW (2X3.5, C21)	
C	2B	N09-4202-05	STEPPED SCREW	
D	2A	N38-2020-46	PAN HEAD MACHIN SCREW	
F	3B	N19-2023-04	FLAT WASHER	
G	2A	N19-2058-04	FLAT WASHER	
H	3A	N19-2093-04	FLAT WASHER	
DM1	3B	T42-0764-04	MOTOR ASSY	
DM2	3B	T42-0763-04	MOTOR ASSY	
DPU1	2B	T25-0209-05	OPTICAL PICKUP HEAD	

Ref. No. 参照番号	New Parts 新	Parts No. 部品番号	Description 部品名 / 規格	Desti- nation 仕 向

E1 : KDC-6070R
E2 : KDC-6070RV

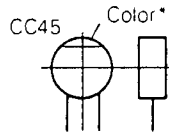
△ indicates safety critical components.

PARTS LIST

CAPACITORS

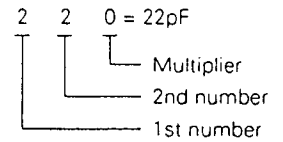
CC 45 TH 1H 220 J
 1 2 3 4 5 6

- 1 = Type ... ceramic, electrolytic, etc.
- 2 = Shape ... round, square, ect.
- 3 = Temp. coefficient
- 4 = Voltage rating
- 5 = Value
- 6 = Tolerance



• Capacitor value

- 010 = 1pF
- 100 = 10pF
- 101 = 100pF
- 102 = 1000pF = 0.001μF
- 103 = 0.01μF



• Temperature coefficient

1st Word	C	L	P	R	S	T	U
Color*	Black	Red	Orange	Yellow	Green	Blue	Violet
ppm/°C	0	-80	-150	-220	-330	-470	-750

2nd Word	G	H	J	K	L
ppm/°C	±30	±60	±120	±250	±500

Example : CC45TH = -470 ± 60ppm/°C

• Tolerance (More than 10pF)

Code	C	D	G	J	K	M	X	Z	P	No code
(%)	±0.25	±0.5	±2	±5	±10	±20	+40 -20	+80 -20	+100 -0	More than 10μF -10 ~ +50 Less than 4.7μF -10 ~ +75

(Less than 10pF)

Code	B	C	D	F	G
(pF)	±0.1	±0.25	±0.5	±1	±2

• Voltage rating

2nd word \ 1st word	A	B	C	D	E	F	G	H	J	K	V
0	1.0	1.25	1.6	2.0	2.5	3.15	4.0	5.0	6.3	8.0	-
1	10	12.5	16	20	25	31.5	40	50	63	80	35
2	100	125	160	200	250	315	400	500	630	800	-
3	1000	1250	1600	2000	2500	3150	4000	5000	6300	8000	-

• Chip capacitors

(EX) C C 7 3 F S L 1 H 0 0 0 J
 1 2 3 4 5 6 7

(Chip) (CH, RH, UJ, SL)

(EX) C K 7 3 F F 1 H 0 0 0 Z
 1 2 3 4 5 6 7

(Chip) (B, F)

Refer to the table above.

- 1 = Type
- 2 = Shape
- 3 = Dimension
- 4 = Temp coefficient
- 5 = Voltage rating
- 6 = Value
- 7 = Tolerance

Dimension (Chip capacitors)

Dimension code	L	W	T
Empty	5.6 ± 0.5	5.0 ± 0.5	Less than 2.0
A	4.5 ± 0.5	3.2 ± 0.4	Less than 2.0
B	4.5 ± 0.5	2.0 ± 0.3	Less than 2.0
C	4.5 ± 0.5	1.25 ± 0.2	Less than 1.25
D	3.2 ± 0.4	2.5 ± 0.3	Less than 1.5
E	3.2 ± 0.2	1.6 ± 0.2	Less than 1.25
F	2.0 ± 0.3	1.25 ± 0.2	Less than 1.25
G	1.6 ± 0.2	0.8 ± 0.2	Less than 1.0

RESISTORS

• Chip resistor (Carbon)

(EX) R K 7 3 E B 2 B 0 0 0 J
 1 2 3 4 5 6 7

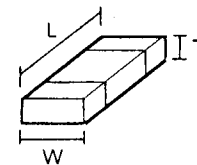
(Chip) (B, F)

• Carbon resistor (Normal type)

(EX) R D 1 4 B B 2 C 0 0 0 J
 1 2 3 4 5 6 7

- 1 = Type
- 2 = Shape
- 3 = Dimension
- 4 = Temp. coefficient
- 5 = Rating wattage
- 6 = Value
- 7 = Tolerance

Dimension



Dimension (Chip resistor)

Dimension code	L	W	T
E	3.2 ± 0.2	1.6 ± 0.2	1.0
F	2.0 ± 0.3	1.25 ± 0.2	1.0
G	1.6 ± 0.2	0.8 ± 0.2	0.5 ± 0.1

Rating wattage

Code	Wattage	Code	Wattage	Code	Wattage
1J	1/16W	2C	1/6W	3A	1W
2A	1/10W	2E	1/4W	3D	2W
2B	1/8W	2H	1/2W		

KDC-6070R/RV

SPECIFICATIONS

FM

Frequency Range 87.5~108.0MHz
Frequency Step 50kHz
Usable Sensitivity (S/N:26dB) 0.7 μ V/75 Ω
Quieting Sensitivity (S/N:46dB) 1.6 μ V/75 Ω
Frequency Response (\pm 3.0dB) 30Hz~15kHz
S/N 65dB (MONO)
Selectivity (DIN) >80dB (\pm 400kHz)
Stereo Separation 35dB (1kHz)

MW

Frequency Range 531~1611kHz
Frequency Step 9kHz
Usable Sensitivity 25 μ V

LW

Frequency Range 153~281kHz
Usable Sensitivity 45 μ V

CD

Laser Diode GaAlAs (λ =780nm)
Digital Filter (D/A) 8 Times Over Sampling
D/A Converter 1Bit
Spindle Speed 500~200 (CLV)
Wow & Flutter Below Mesurable Limit
Frequency Response 10~20kHz (\pm 1dB)
Total Harmonic Distortion 0.01% (1kHz)
S/N Ratio 93dB (1kHz)
Dynamic Range 93dB
Channel Separation 85dB

AUDIO

Preout Level/Load 1800mV/10k Ω
Preout Impedance <600 Ω
Max Power 44W \times 4
PWR (DIN45324, +B=14.4V) 28W \times 4
Tone Action
Bass 100Hz \pm 10dB
Treble 10kHz \pm 10dB

GENERAL

Operating Voltage (11~16V allowable) 14.4V
Current Consumption 10.0A at rated power
Installation Size (W \times H \times D) 182 \times 53 \times 160mm
Weight 1800g

KENWOOD follows policy of continuous advancements in development. For this reason specifications may be changed without notice.

KENWOOD CORPORATION

14-6, Dogenzaka 1-chome, Shibuya-ku, Tokyo, 150-8501 Japan

KENWOOD SERVICE CORPORATION

P.O. Box 22745, 2201 East Dominguez Street,
Long Beach, CA90801-5745, U.S.A.

KENWOOD ELECTRONICS CANADA INC.

6070 Kestrel Road, Mississauga, Ontario, Canada L5T 1S8

KENWOOD ELECTRONICS LATIN AMERICA S.A.

P.O. Box 55-2791, Piso 6, Plaza Chase, Cl. 47 y,
Aquilino de la Guardia, Panama, Republic of Panama

KENWOOD ELECTRONICS BRASIL LTDA.

Av. Moema, 170-17 $^{\circ}$, Andar-Cobertura "B",
Ed. Maximum Service Center, 04077-020 Moema,
São Paulo-SP-Brasil

KENWOOD ELECTRONICS UK LIMITED

Kenwood House, Dwight Road, Watford,
Herts, WD1 8EB, United Kingdom

KENWOOD ELECTRONICS DEUTSCHLAND GMBH

Rembrücker Str. 15, 63150 Heusenstamm, Germany

KENWOOD ELECTRONICS FRANCE S.A.

13, Boulevard Ney, 75018 Paris, France

KENWOOD ELECTRONICS BELGIUM N.V.

Mechelsesteenweg 418, B-1930 Zaventem, Belgium

KENWOOD ELECTRONICS ITALIA S.p.A.

Via G. Sirtori 7/9, 20129 Milano, Italy

KENWOOD IBÉRICA S.A.

Bolivia, 239-08020 Barcelona, Spain

KENWOOD ELECTRONICS AUSTRALIA PTY. LTD.

(A.C.N. 001 499 074)

8 Figtree Drive, Australia Centre, Homebush, N.S.W. 2140, Australia

KENWOOD & LEE ELECTRONICS LTD.

Unit 3712-3724, Level 37, Tower 1, Metroplaza,
223 Hing Fong Road, Kwai Fong, N.T., Hong Kong

KENWOOD ELECTRONICS GULF FZE

P.O. Box 61318, Jebel Ali, Dubai, U.A.E.

KENWOOD ELECTRONICS (THAILAND) CO., LTD.

573/111 Soi Ramkhamhaeng 39, Ramkhamhaeng Road,
Wangthonglang, Bangkok, 10310 Thailand

KENWOOD ELECTRONICS SINGAPORE PTE. LTD.

1 Genting Lane, #07-00, Kenwood Building, Singapore 349544

KENWOOD ELECTRONICS (MALAYSIA) SDN BHD

#4.01 Level 4, Wisma Academy, Lot 4A, Jalan 19/1,
46300 Petaling Jaya, Selangor, Malaysia